



SINCE 1888

Montageanleitung

Assembly Instructions





Guide d'assemblage

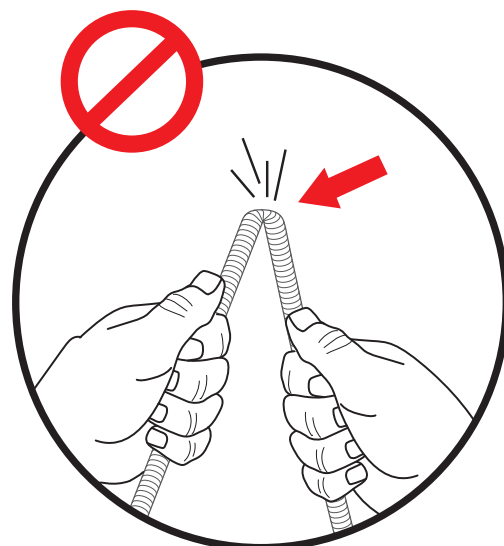
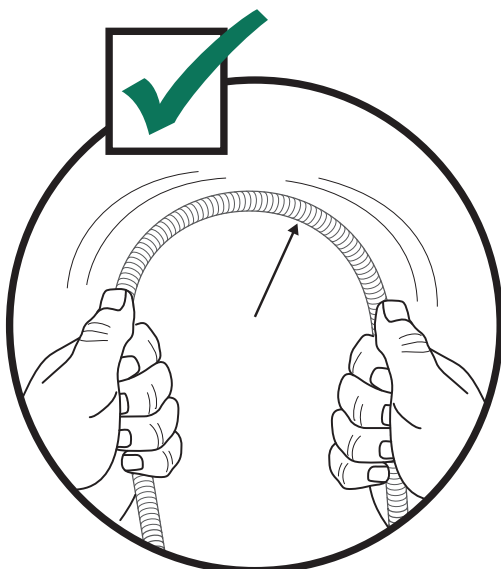
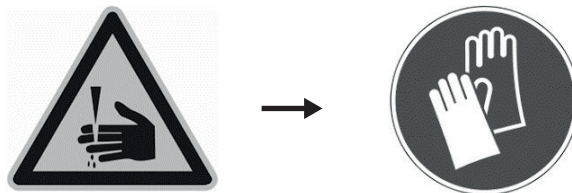
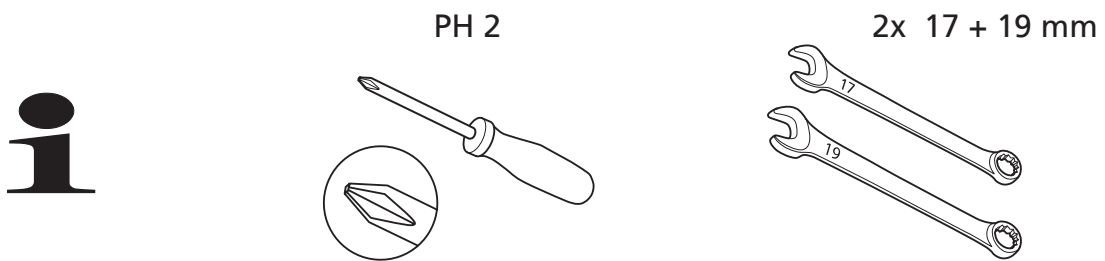
# BBQ Station Videro G2-S



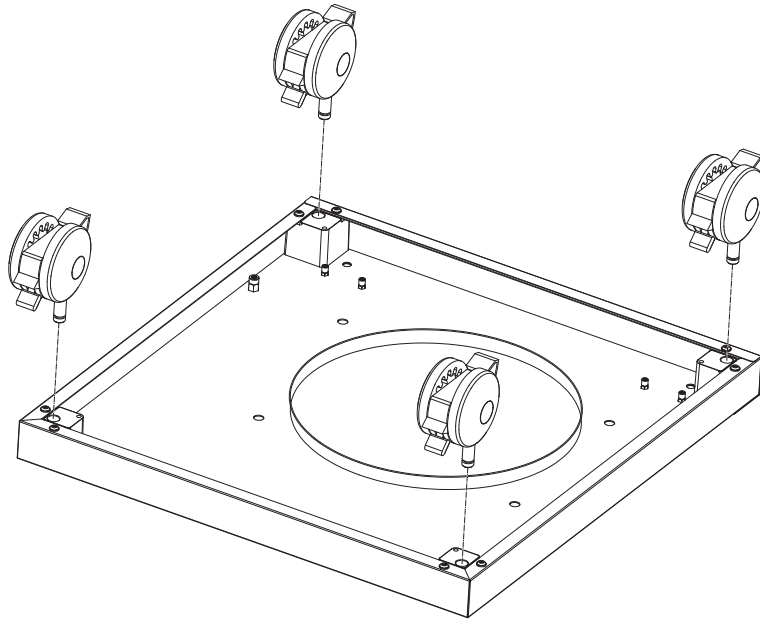
Abb.:  
Videro G2-S

Mitgelieferte Befestigungselemente:

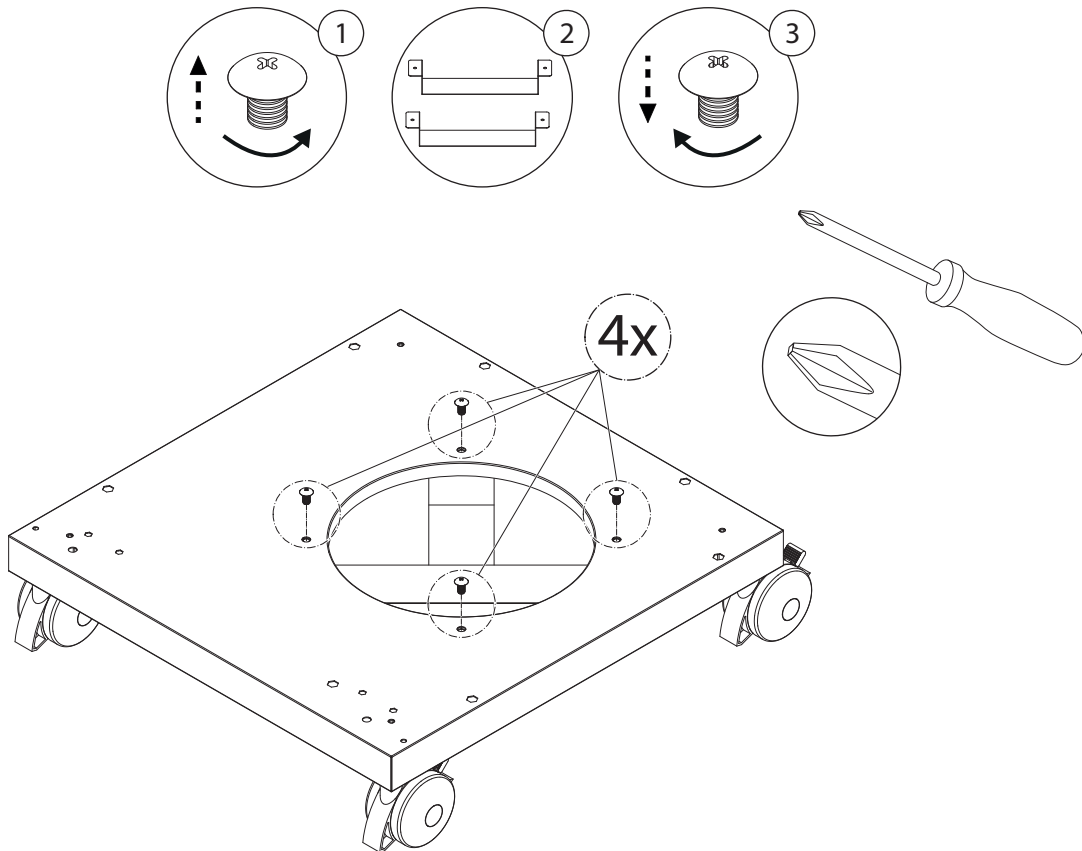
| Stk. | Teil | Darstellung   |
|------|------|---|
| 7    | A    |  |
| 16   | B    |  |
| 1    | C    |  |
| 2    | D    |  |



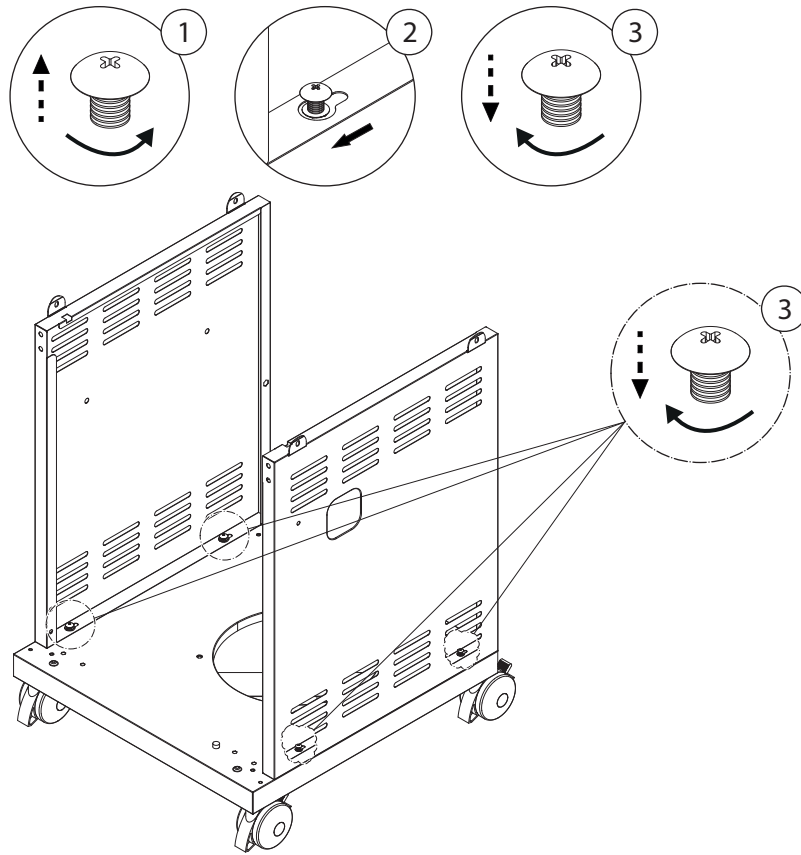
1



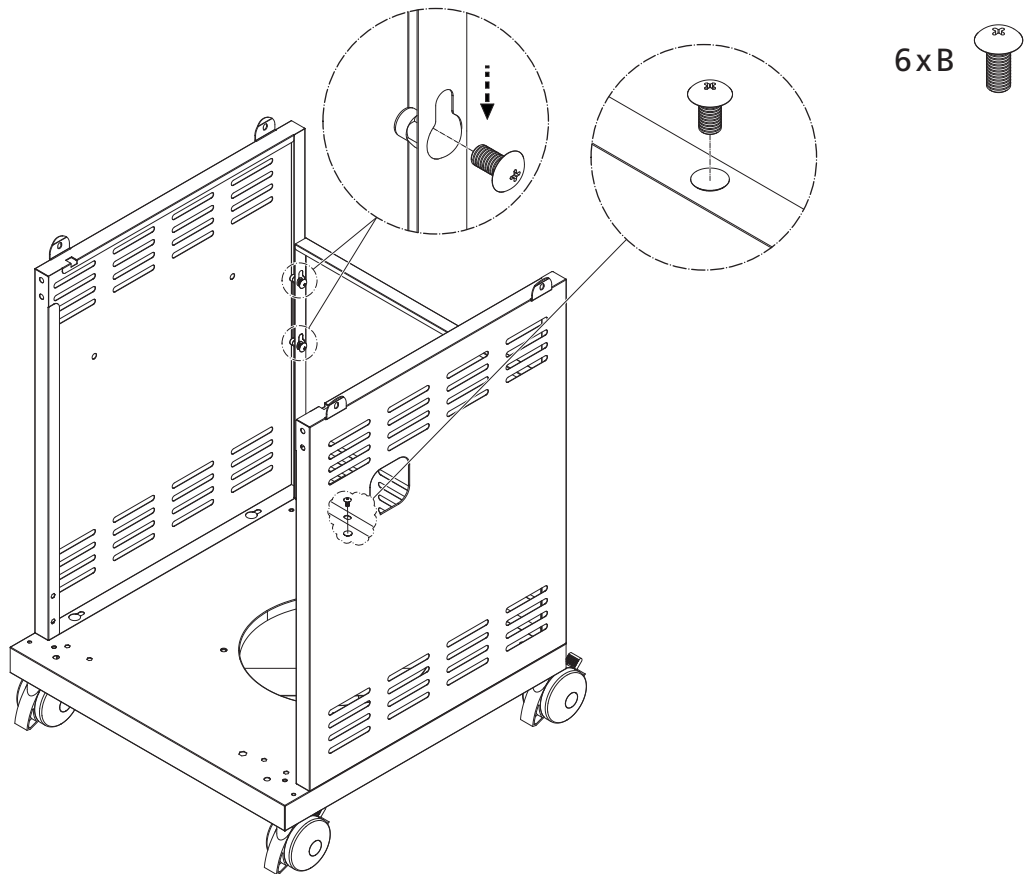
2



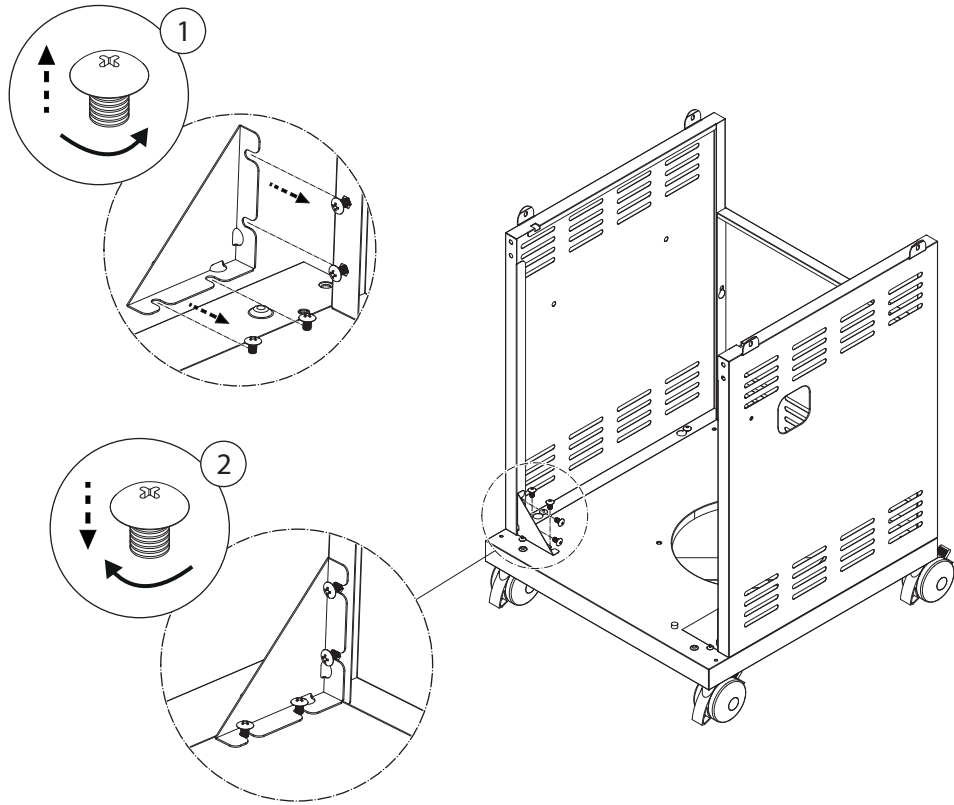
3



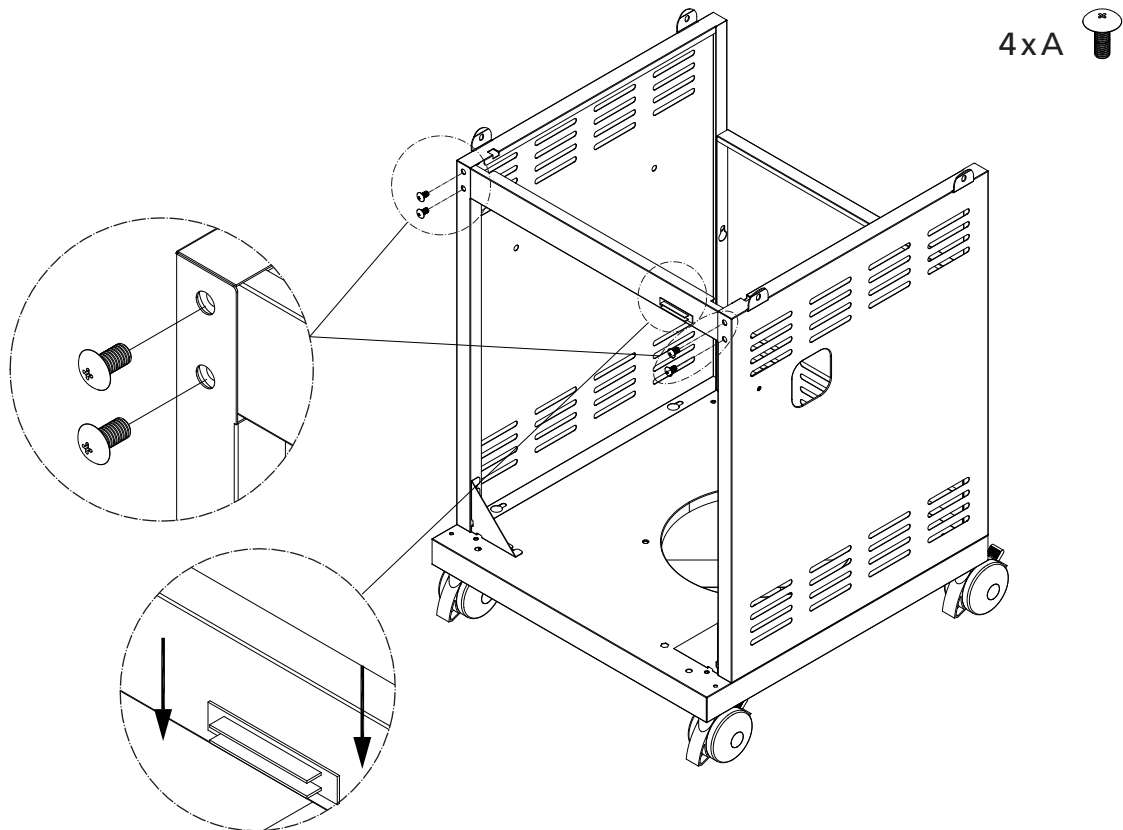
4



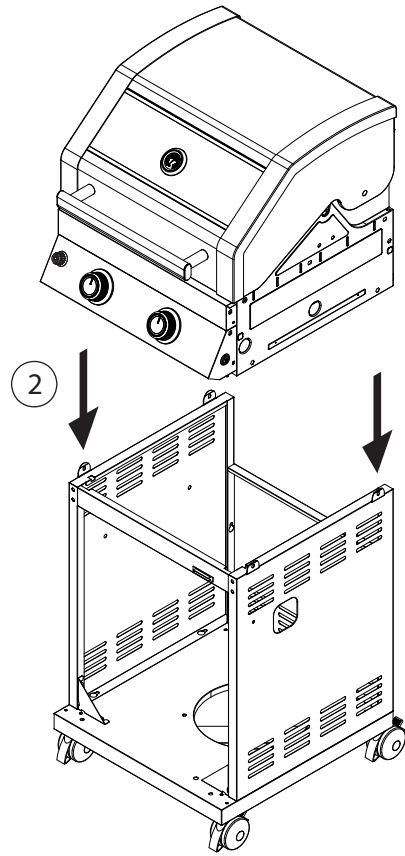
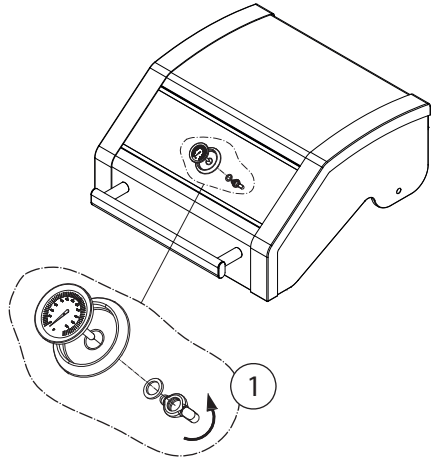
5



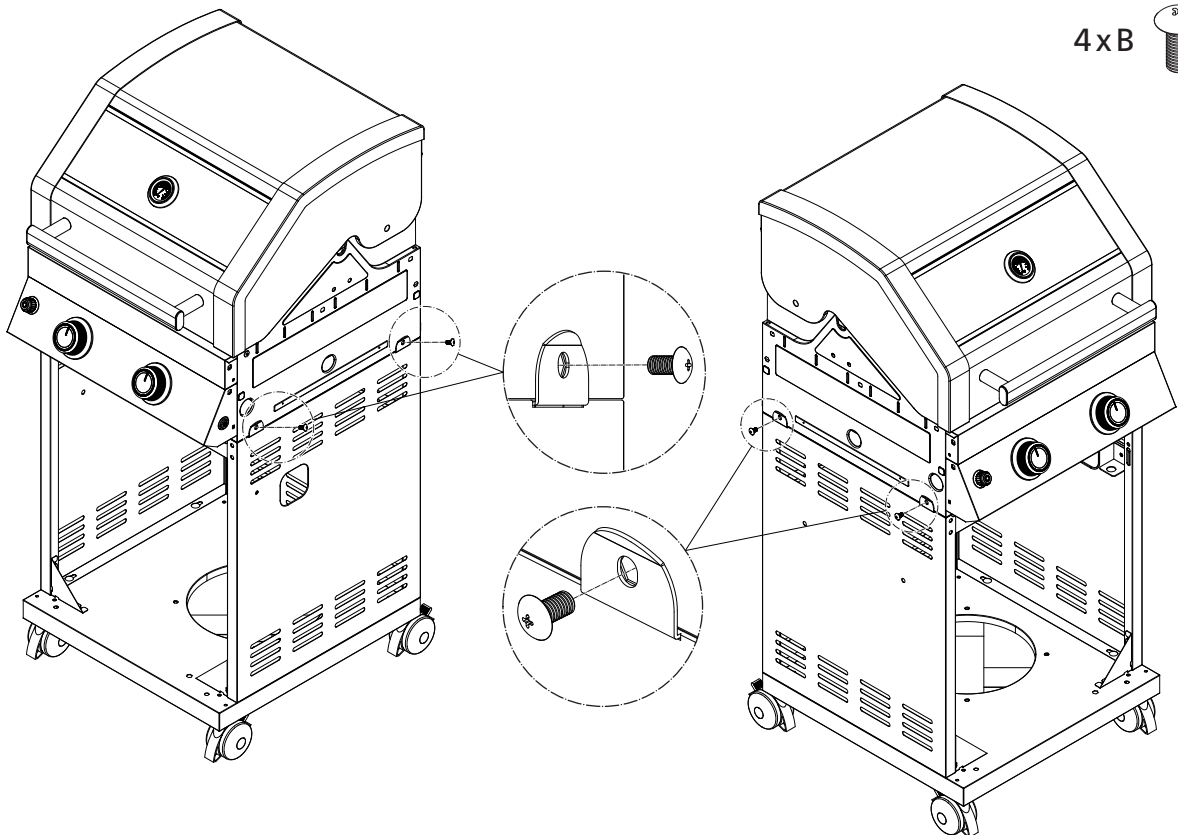
6



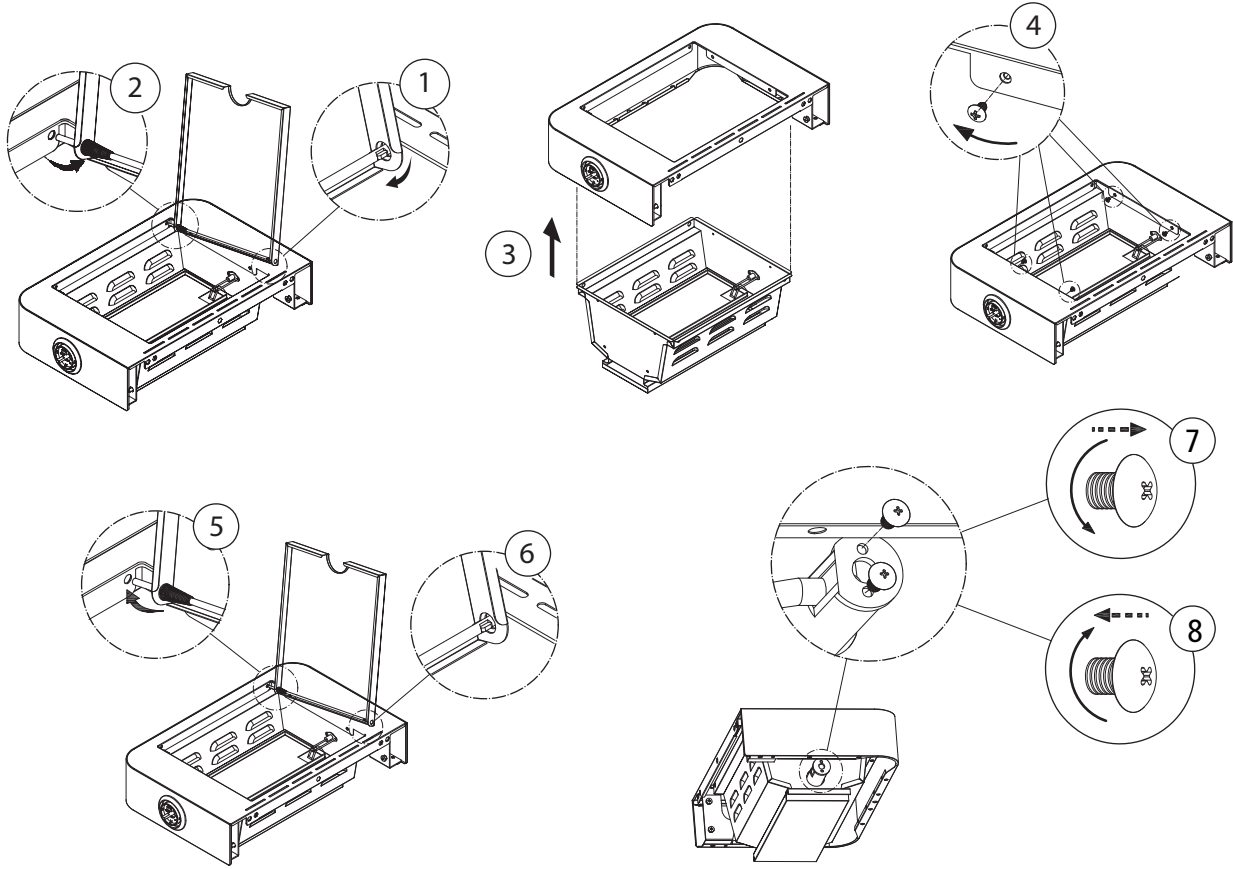
7



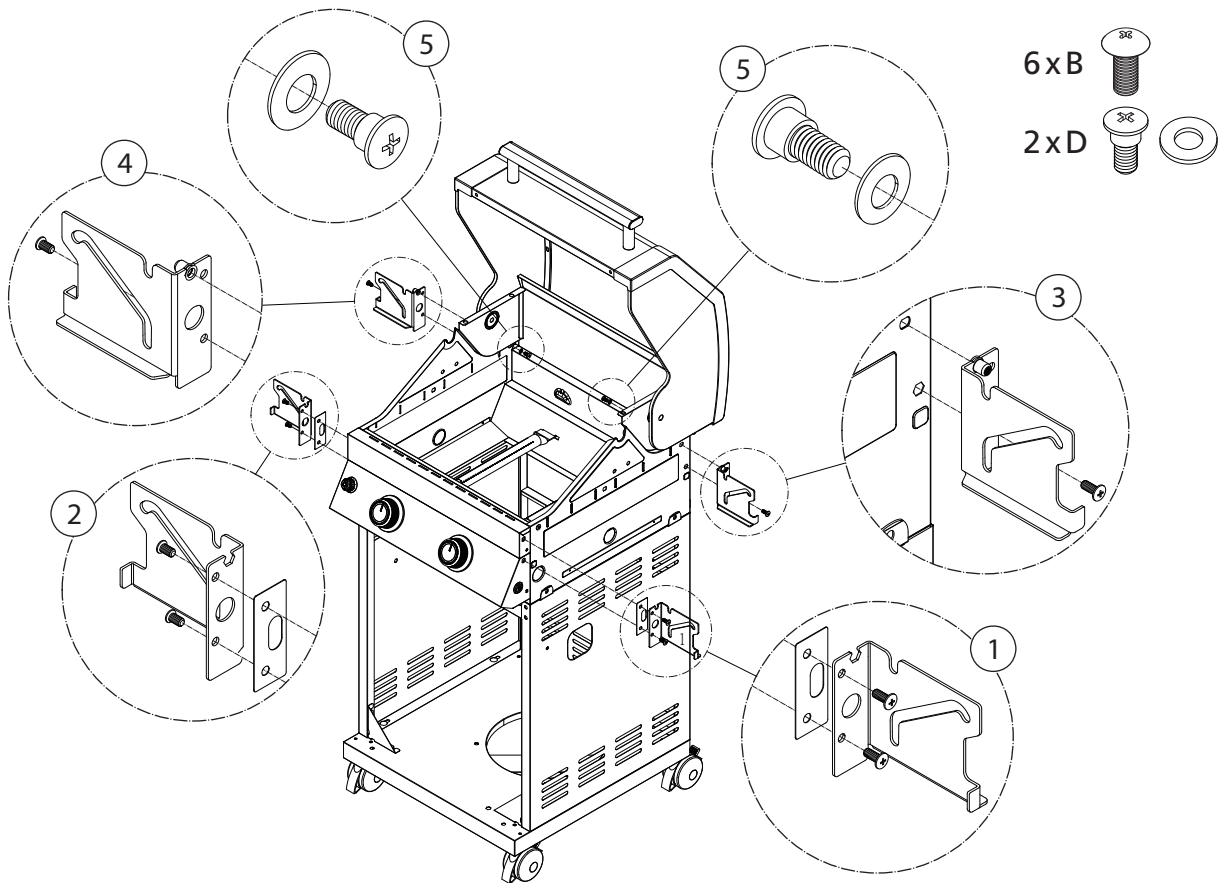
8



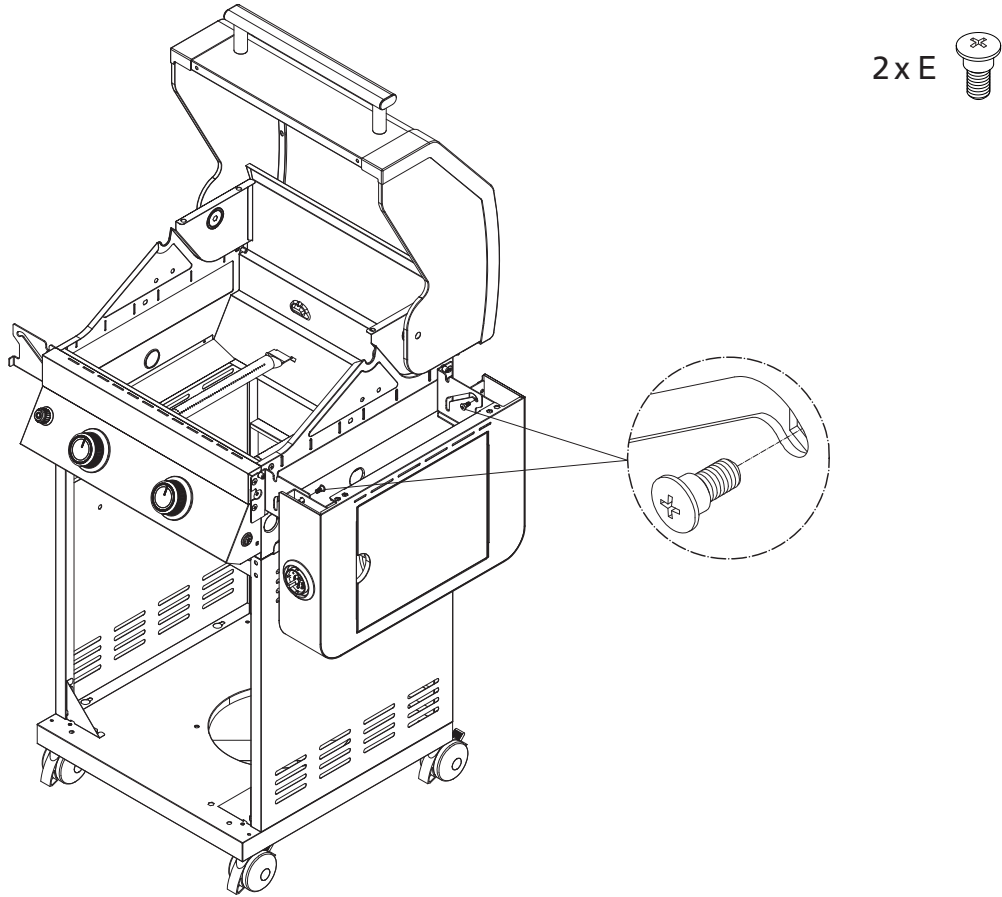
9



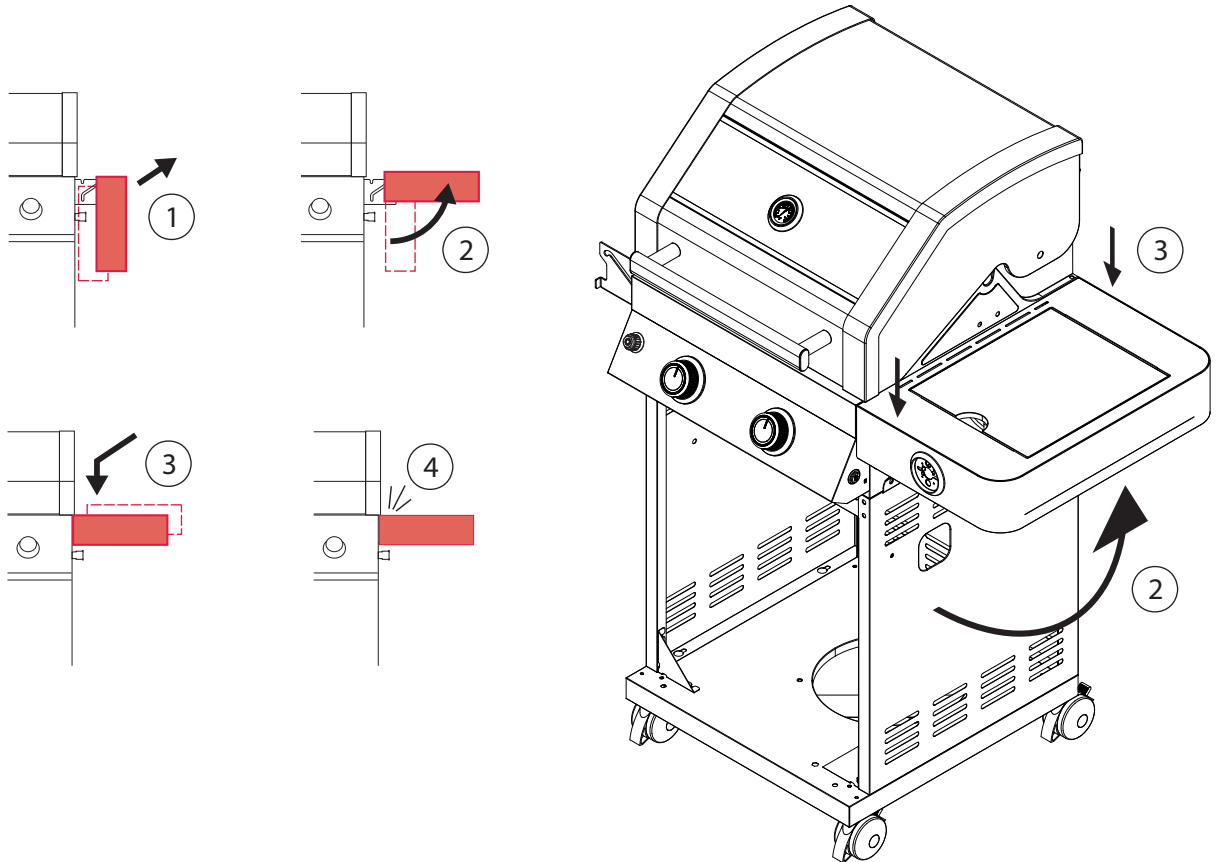
10



11

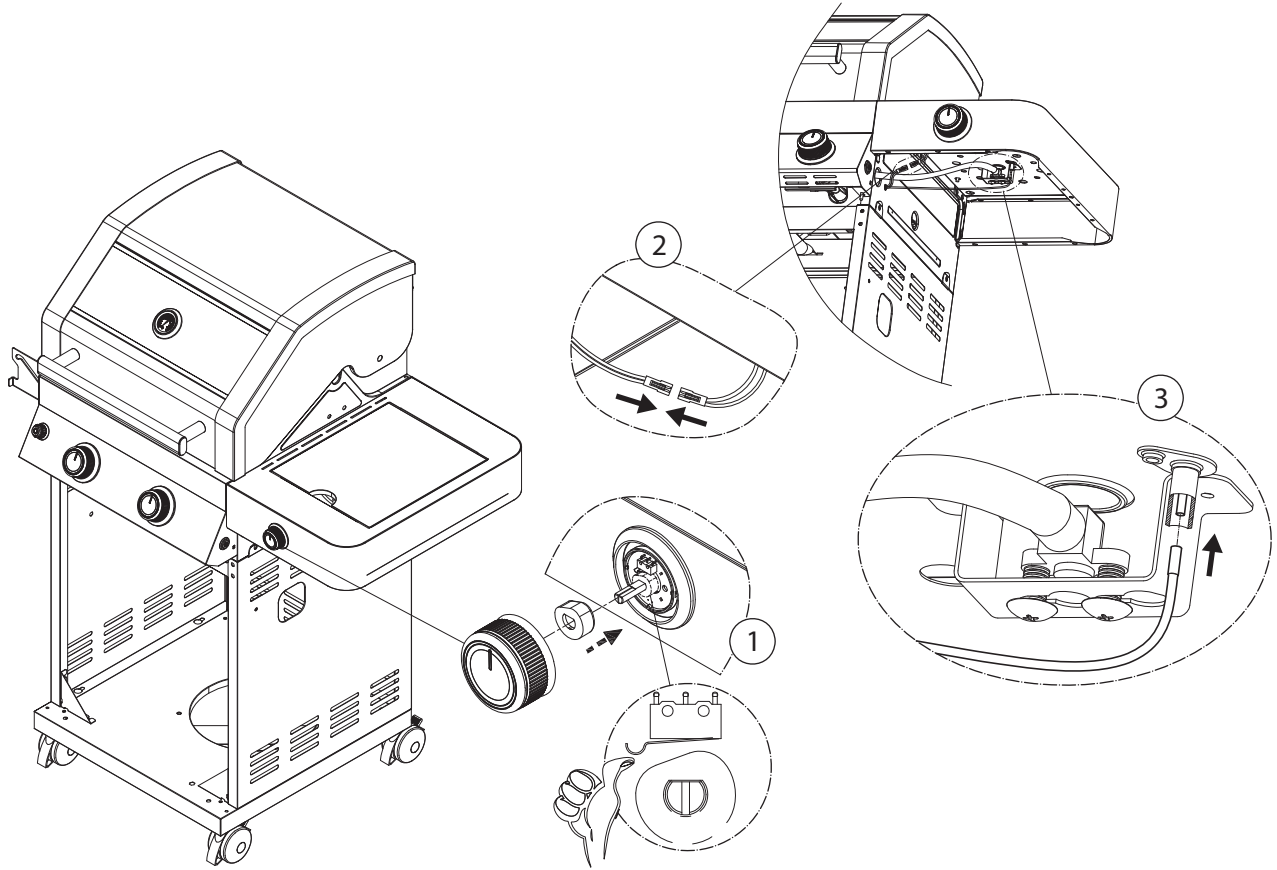


12

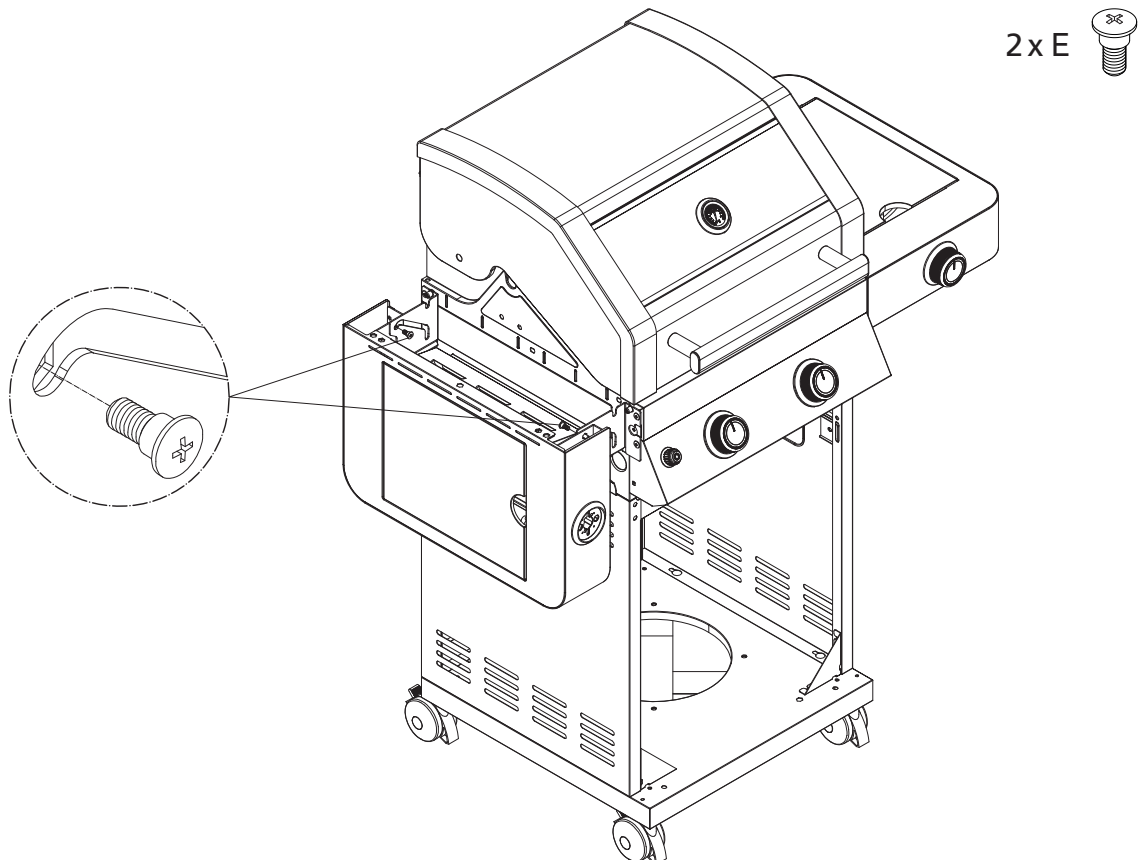




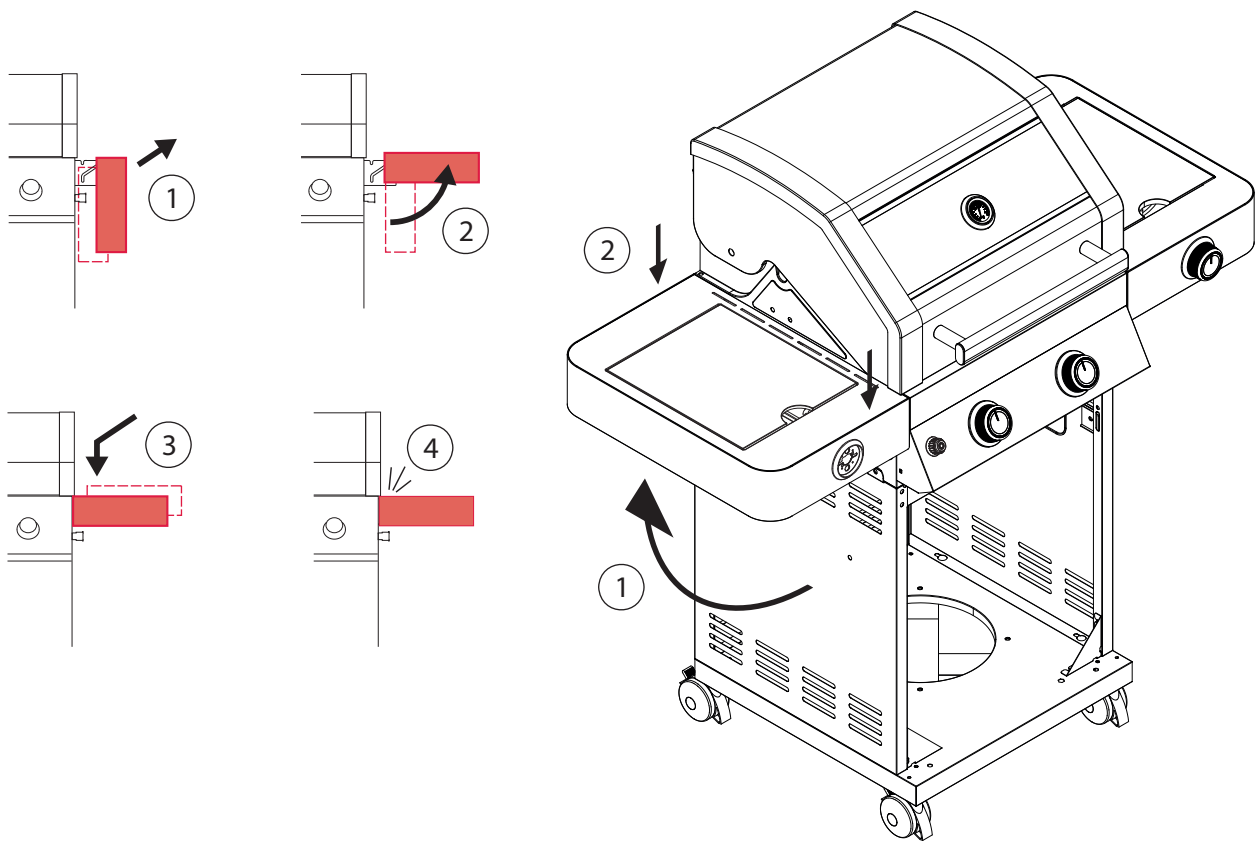
13



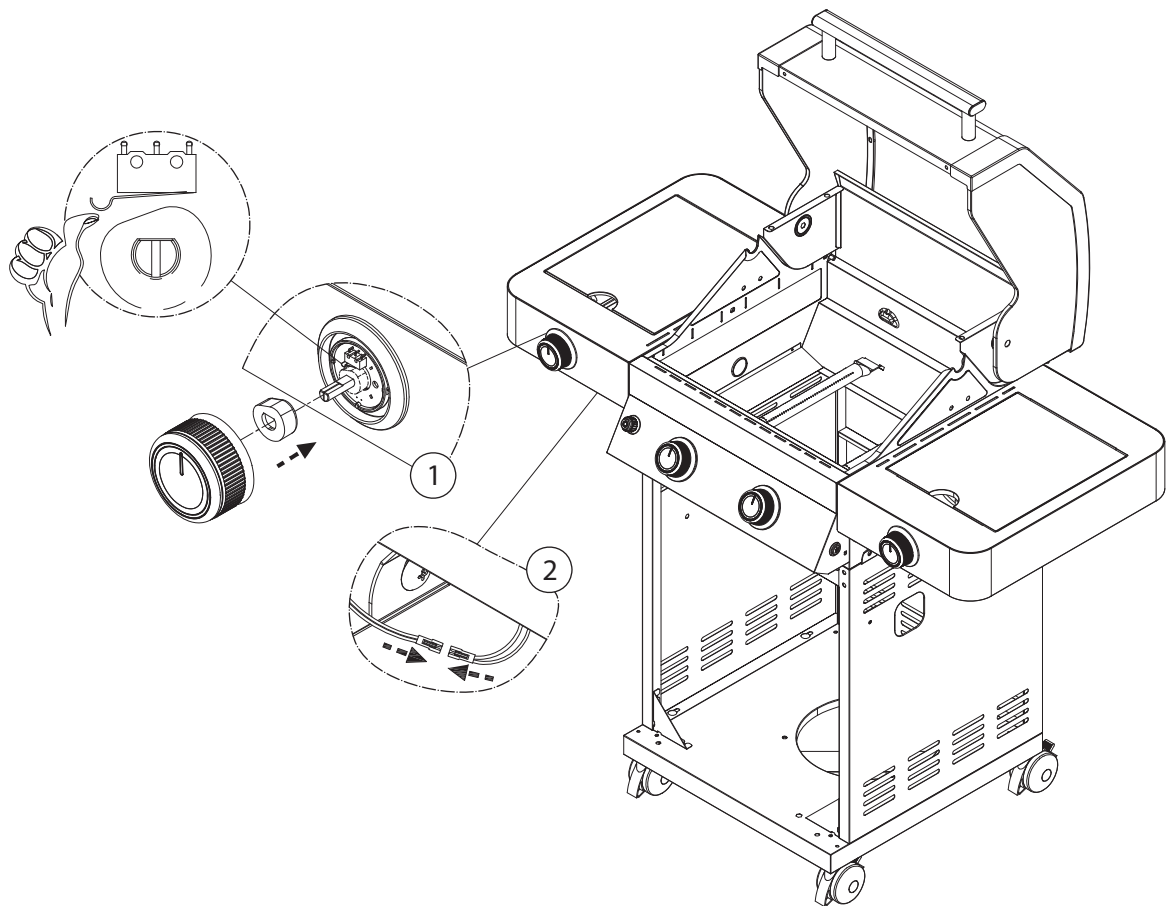
14



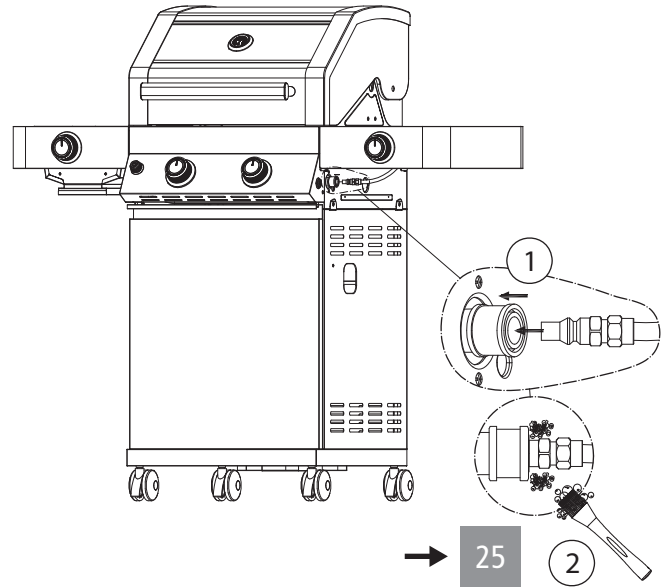
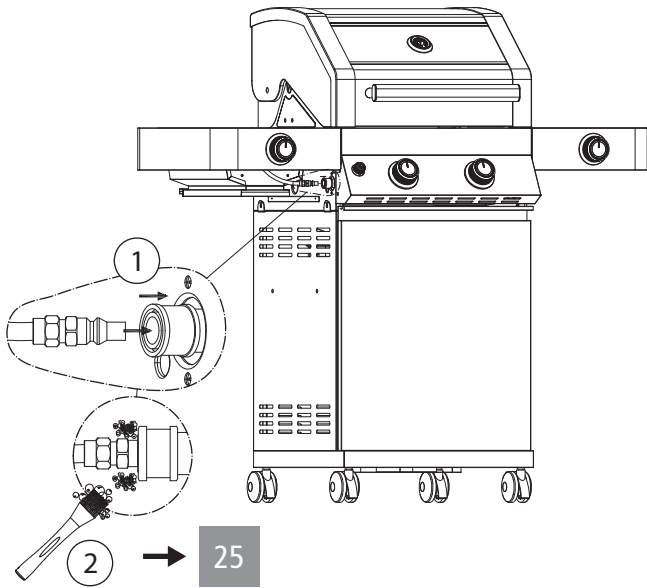
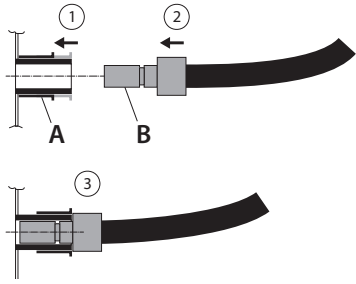
15



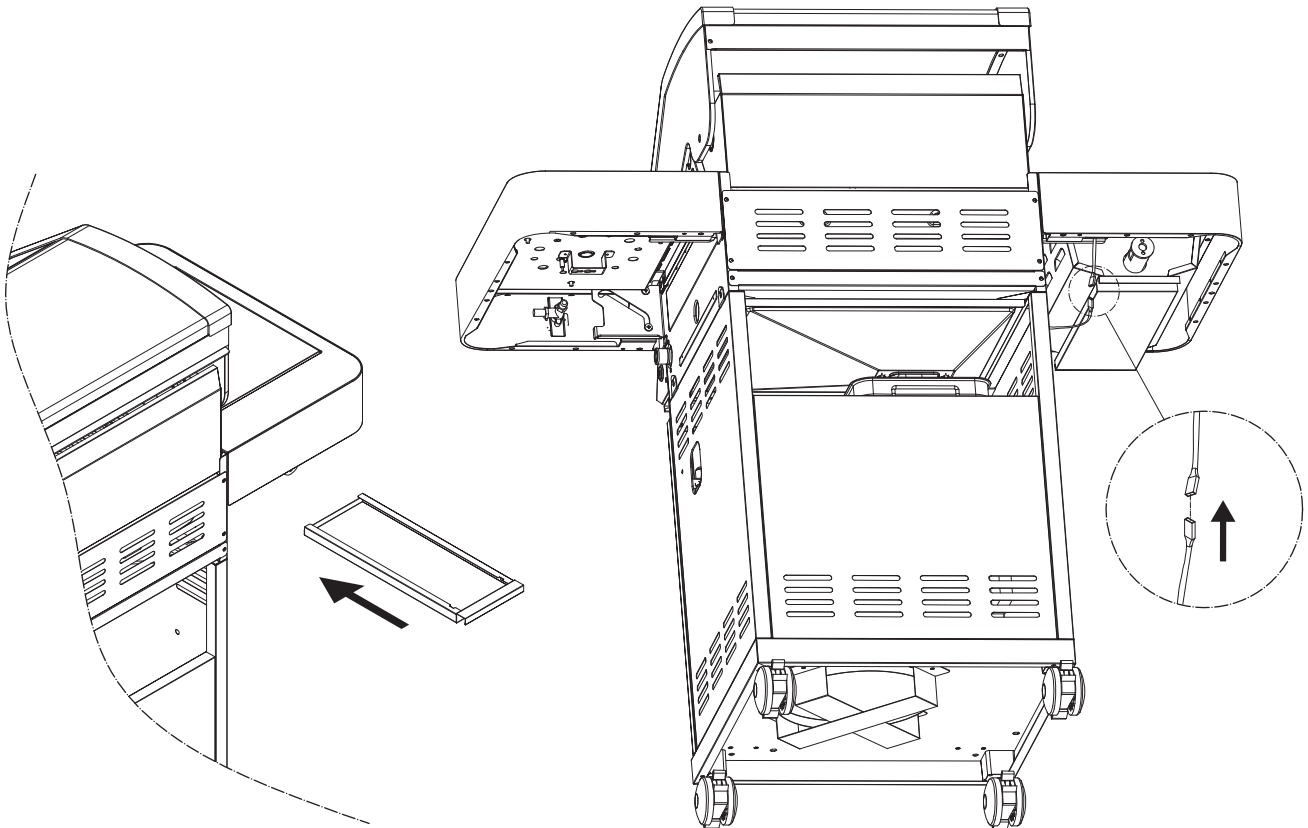
16



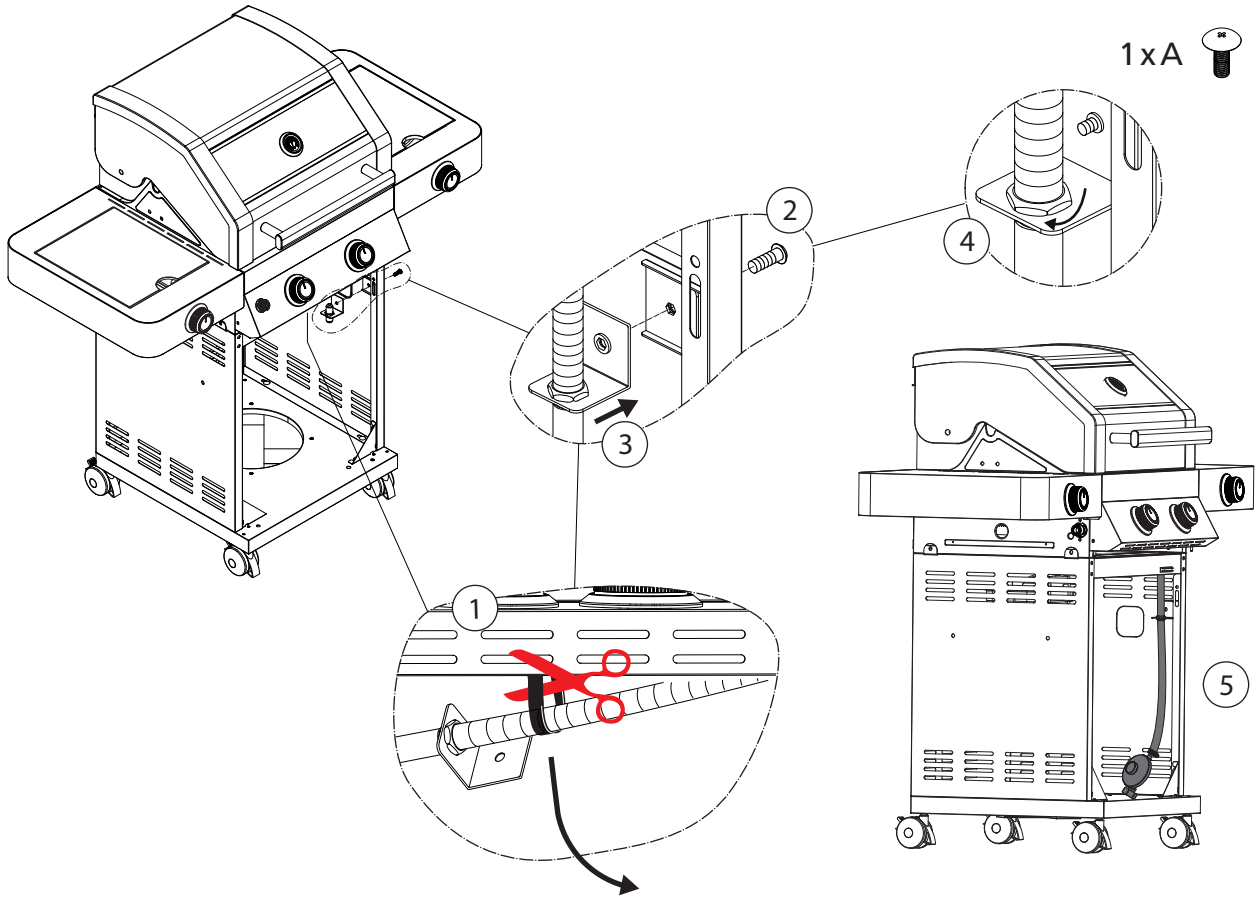
17



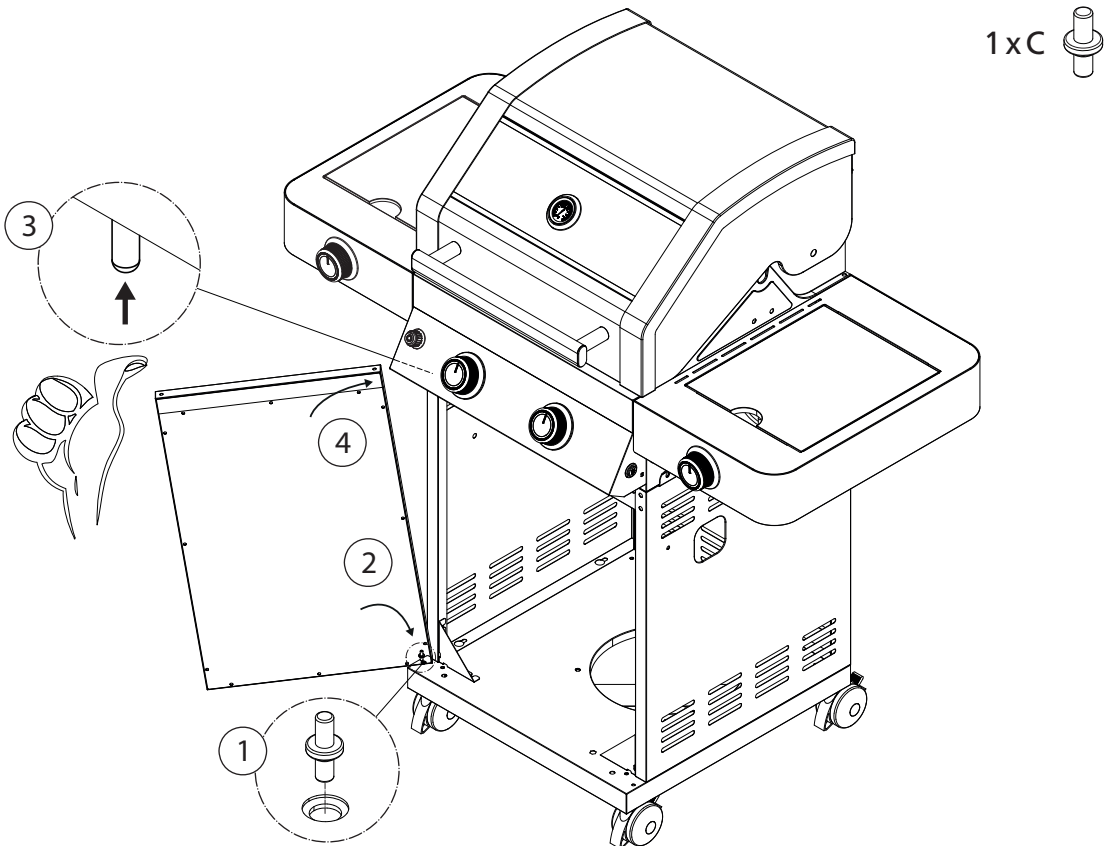
18



19

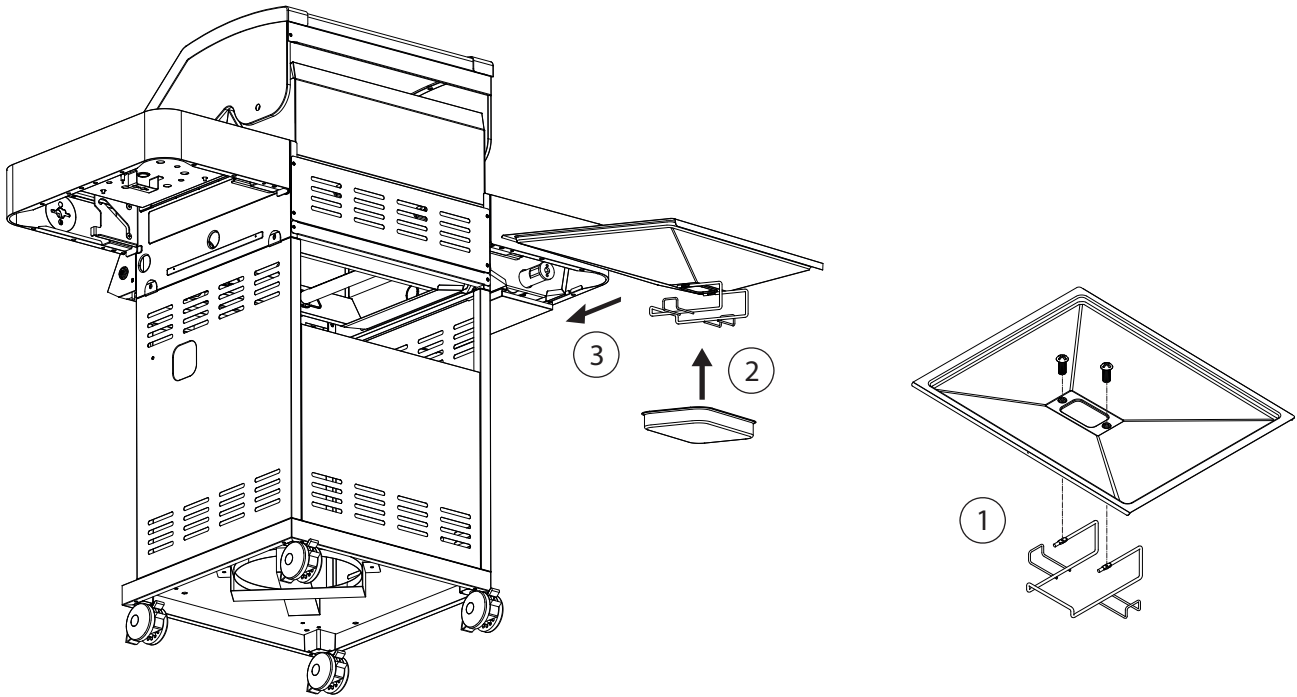


20

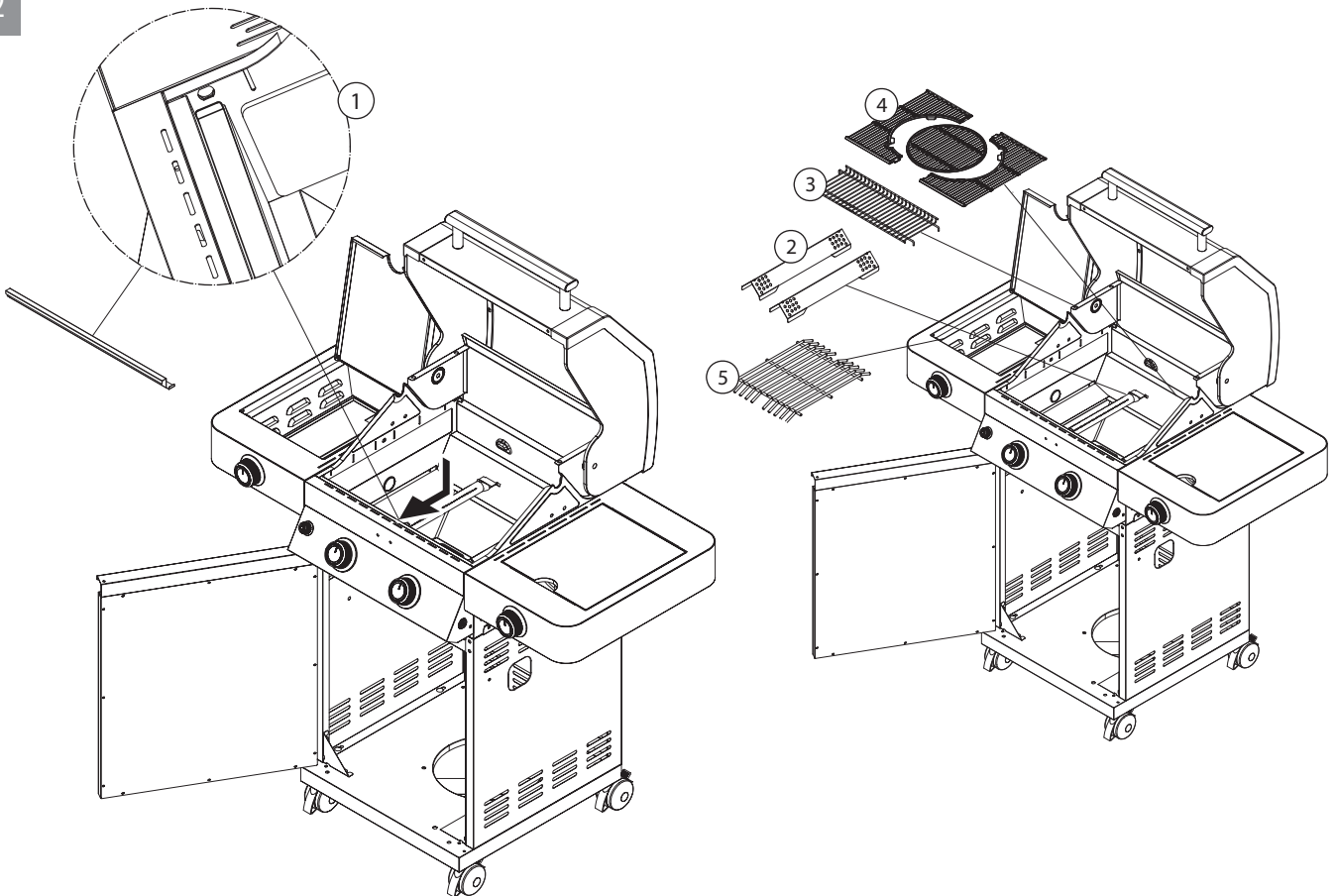


21

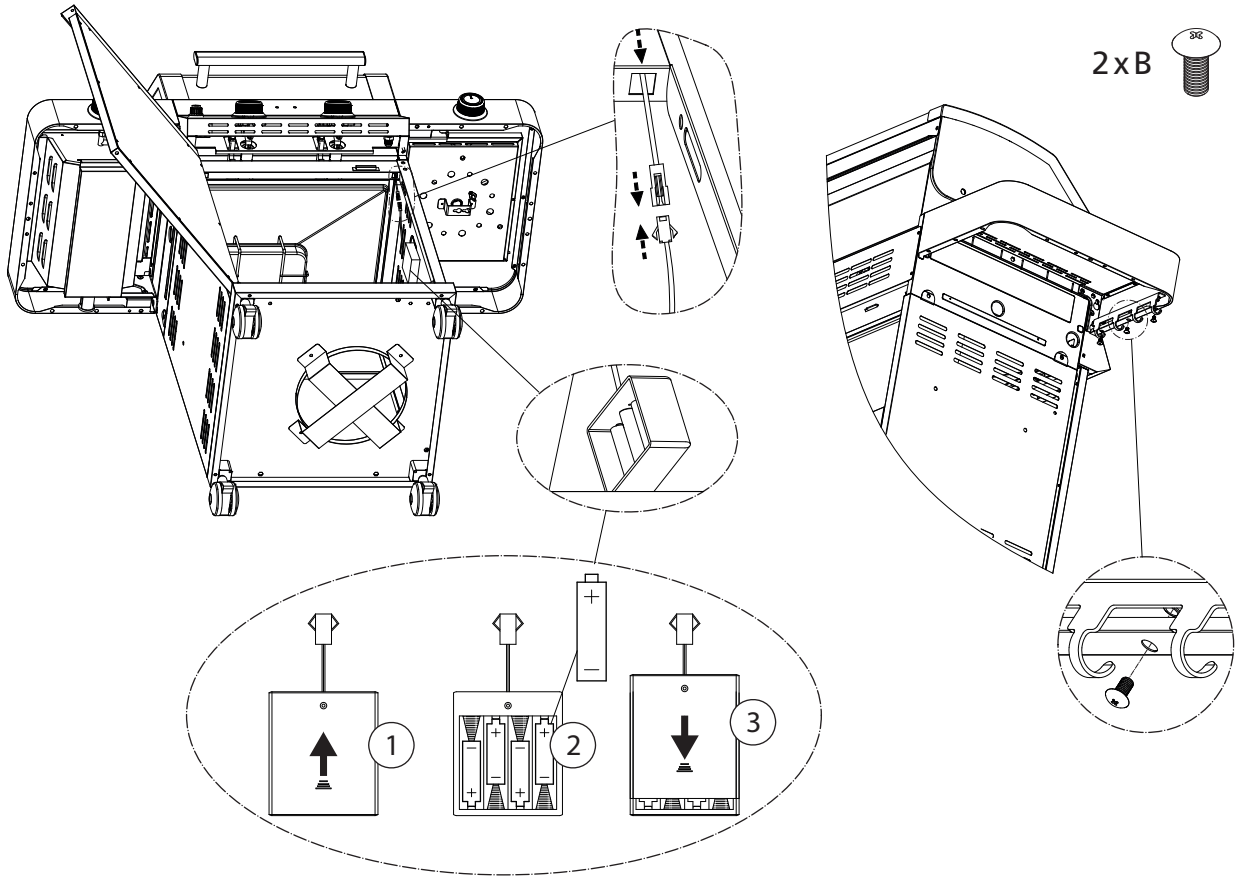
2xA 



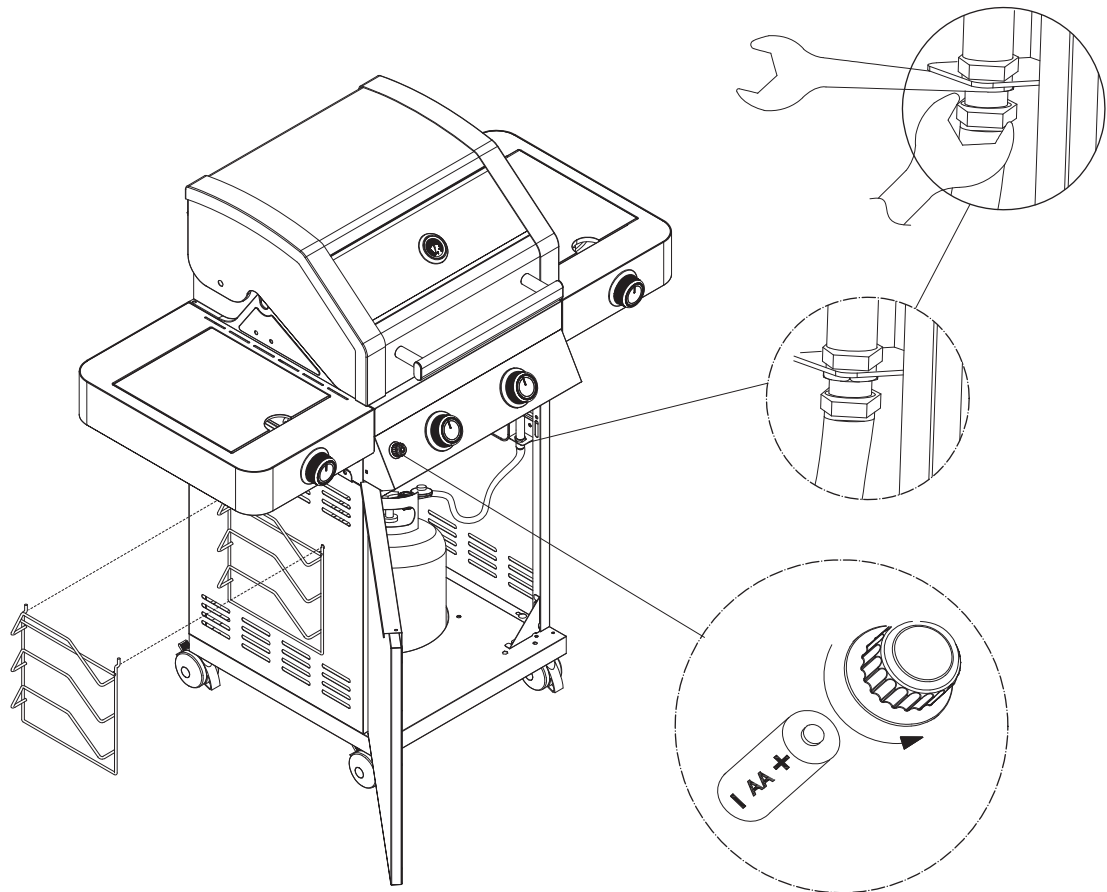
22



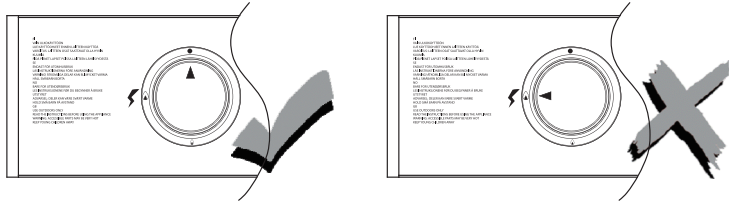
23



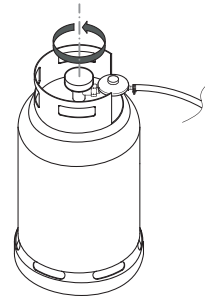
24



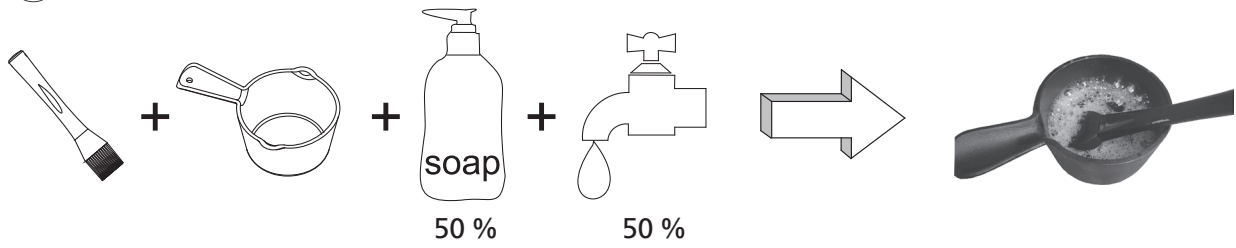
1



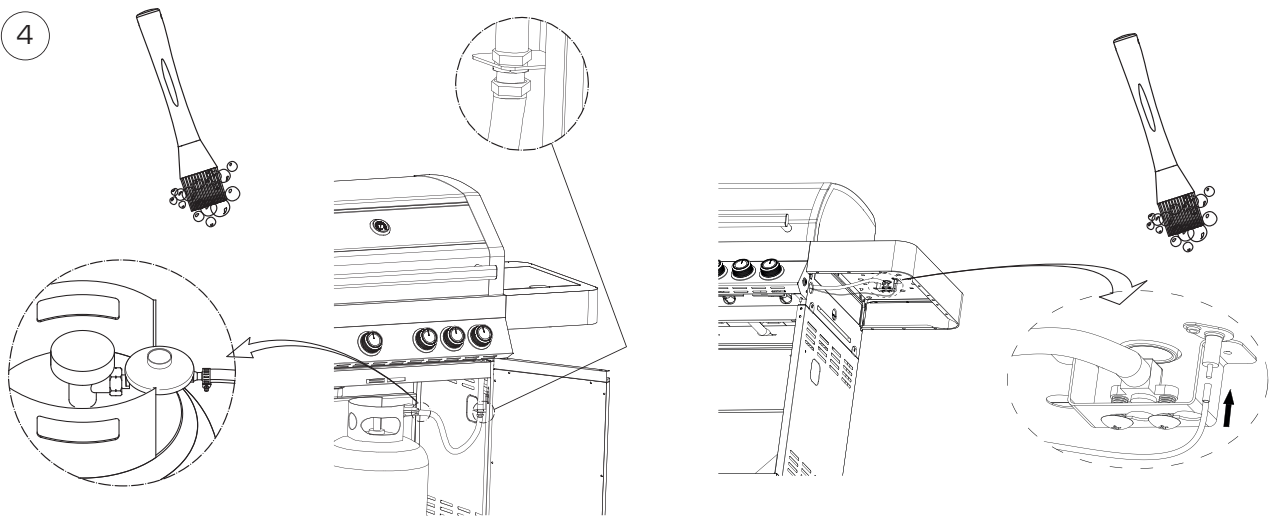
2



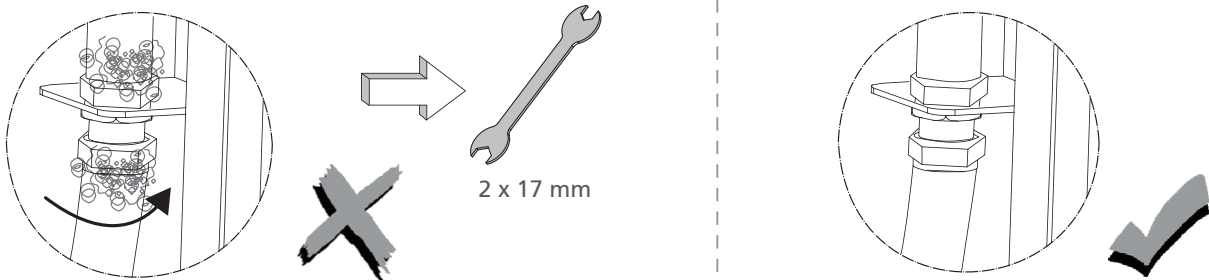
3



4



5





SINCE 1888