



SINCE 1888

Montageanleitung

Assembly Instructions

Guide d'assemblage





BBQ Station Videro Pure G3

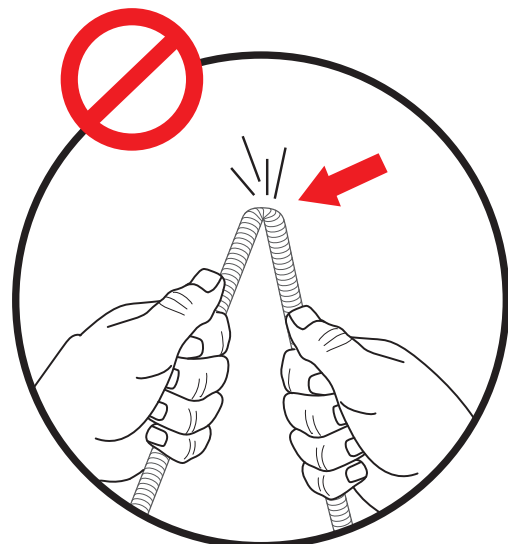
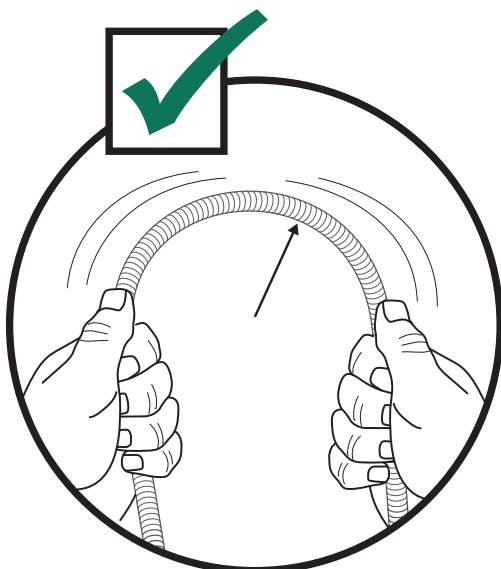
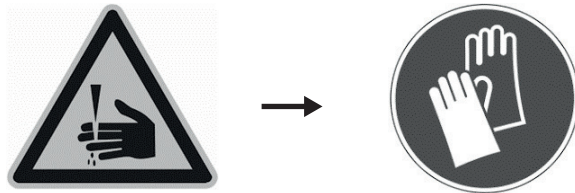
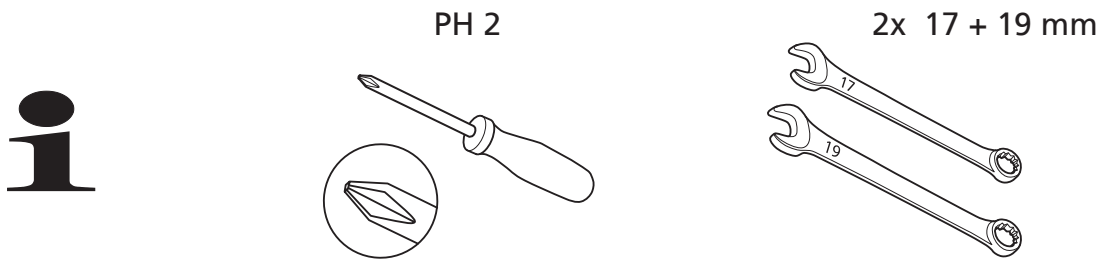
BBQ Station Videro G3

BBQ Station Videro G4

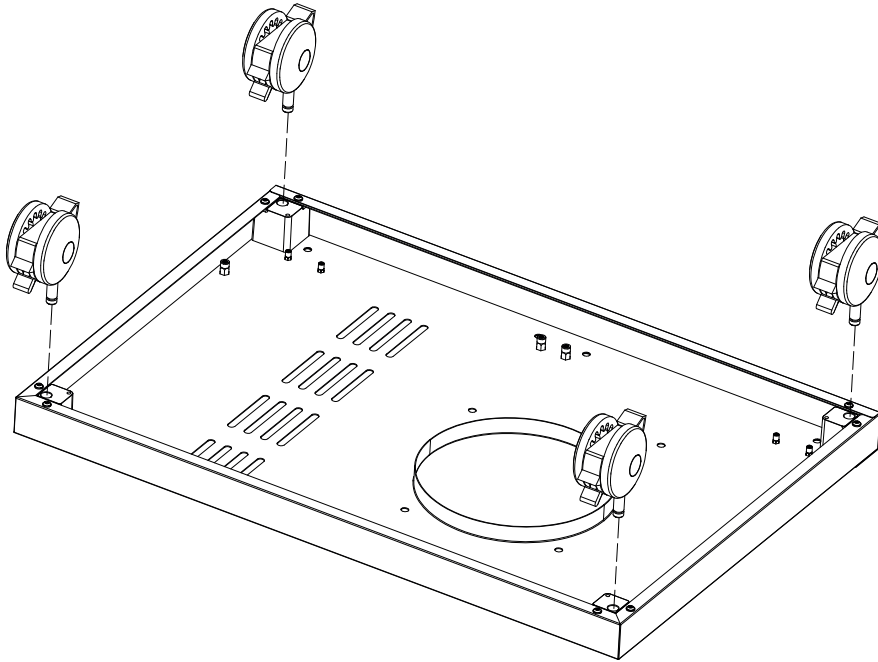


Abb.:
Videro G4

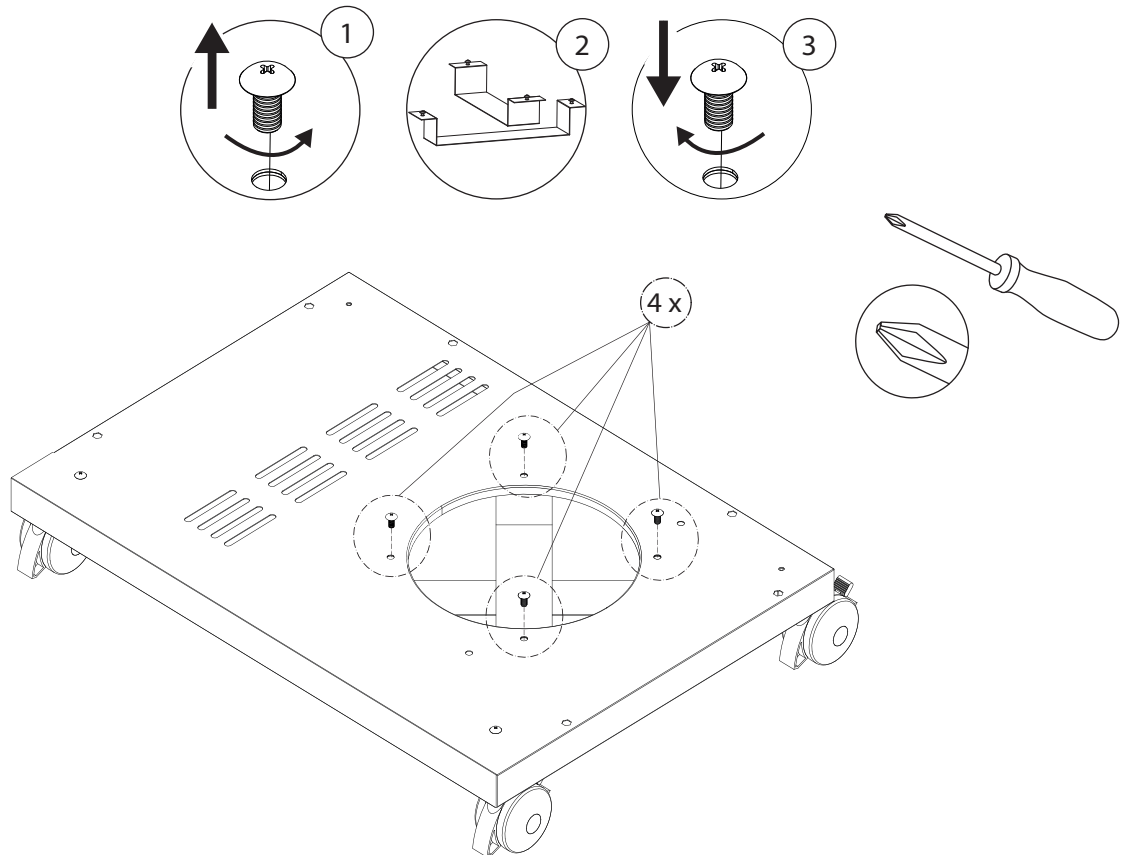
Stk.	Teil	Darstellung
7	A	
14	B	
2	C	
4	D	



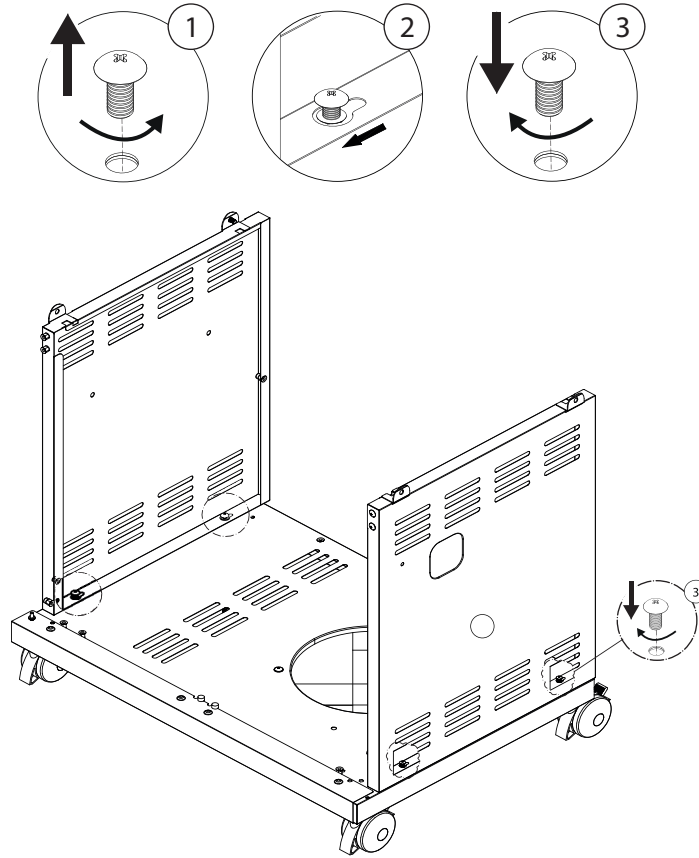
1



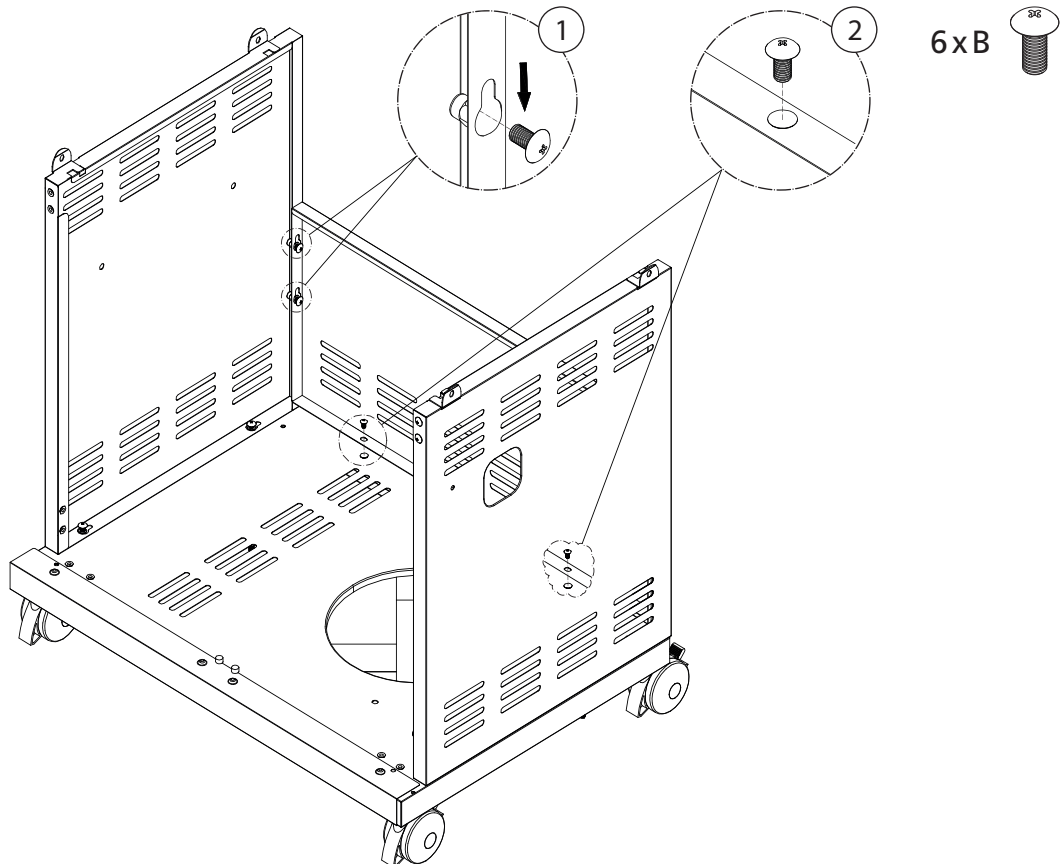
2



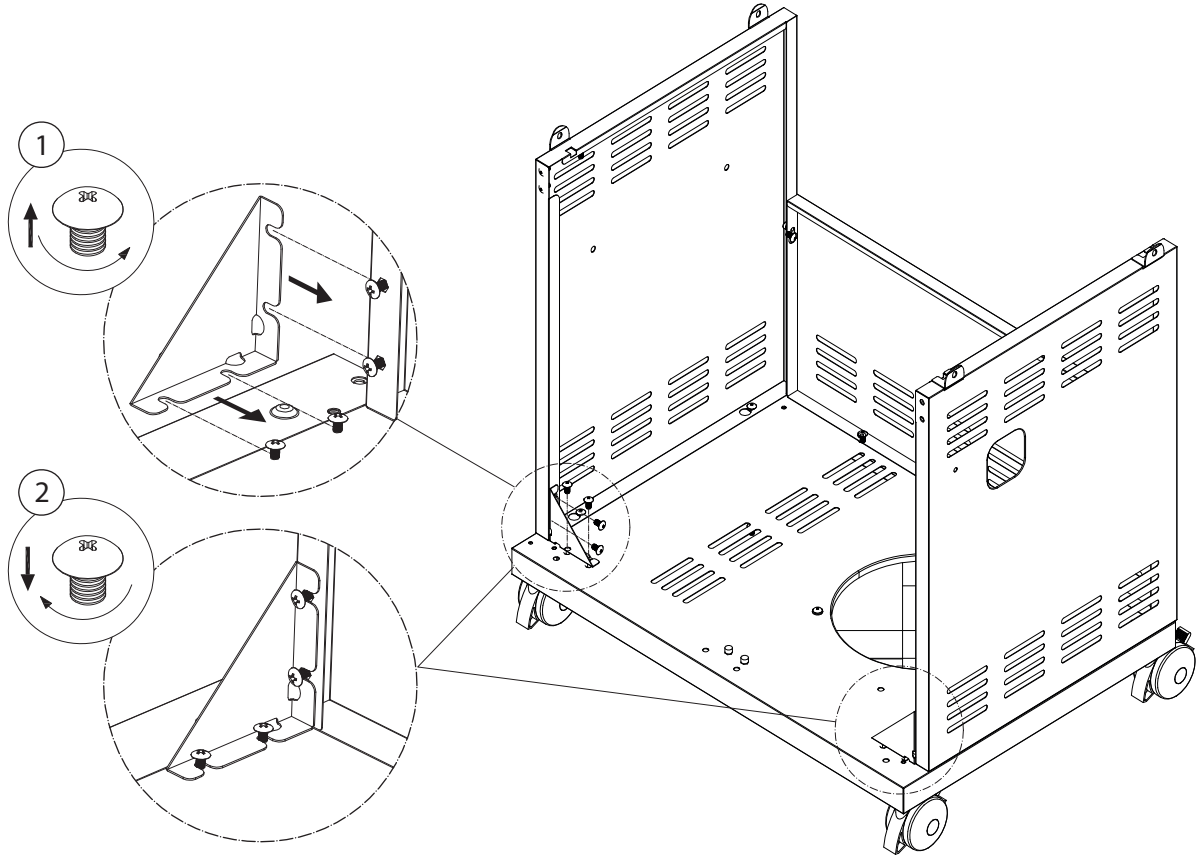
3



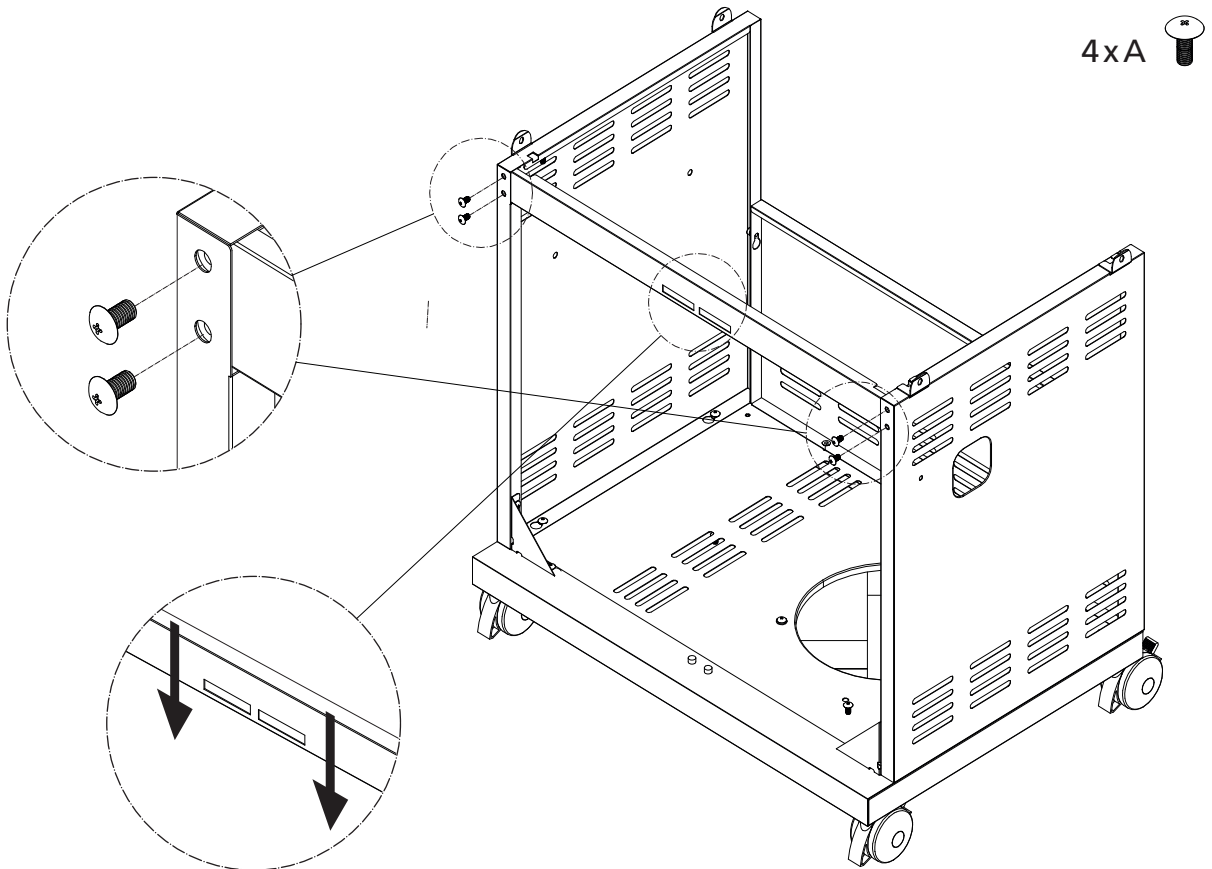
4



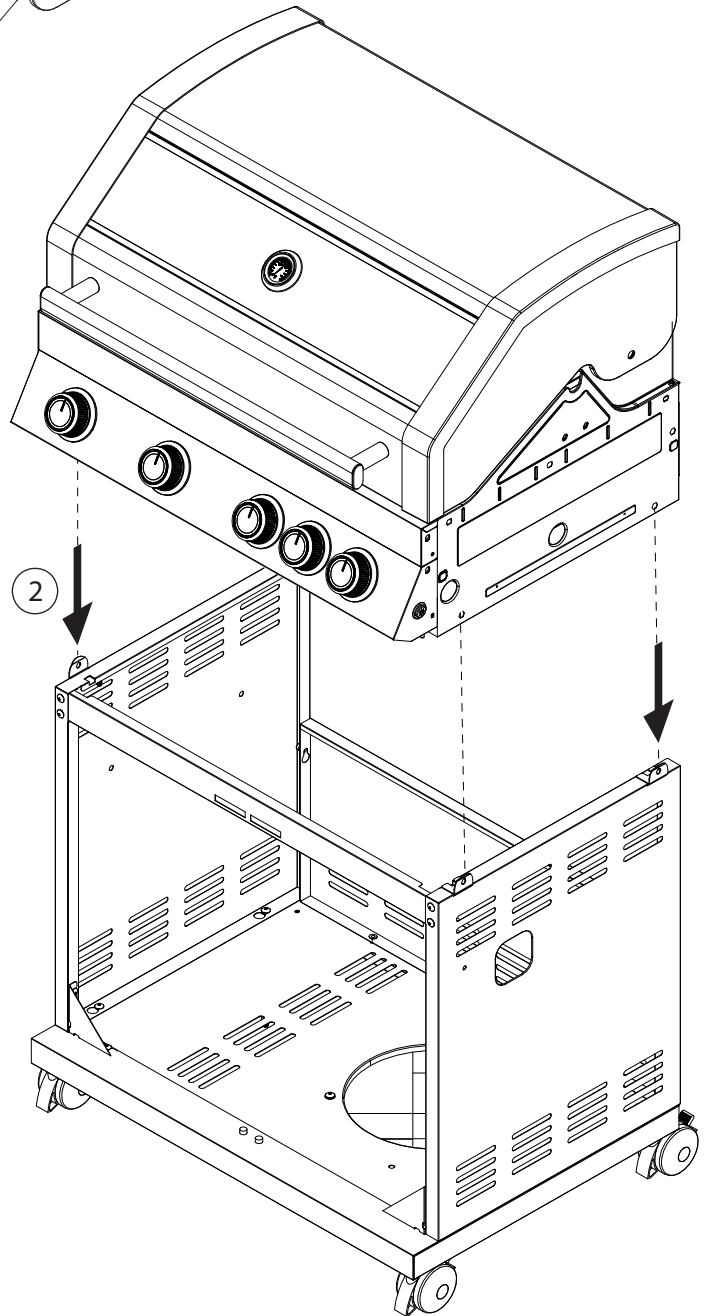
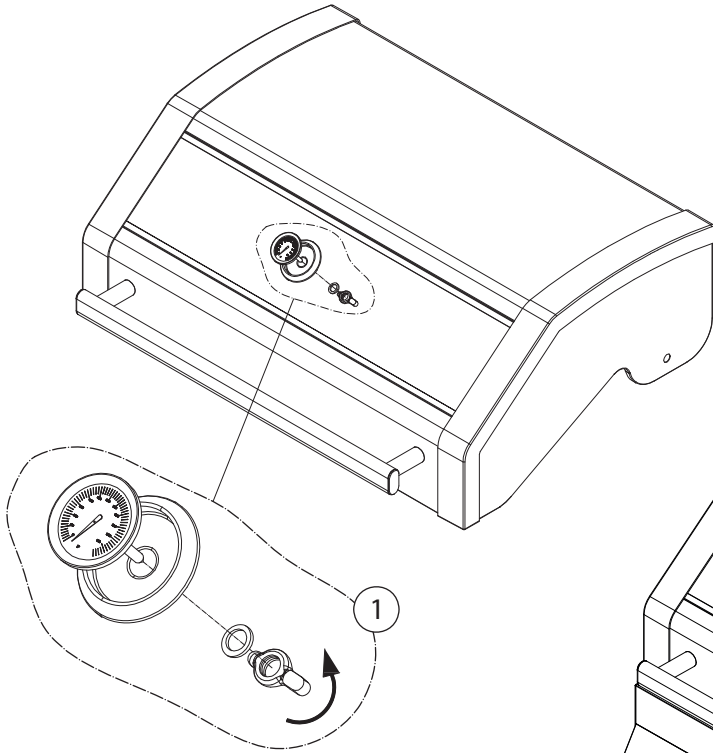
5



6

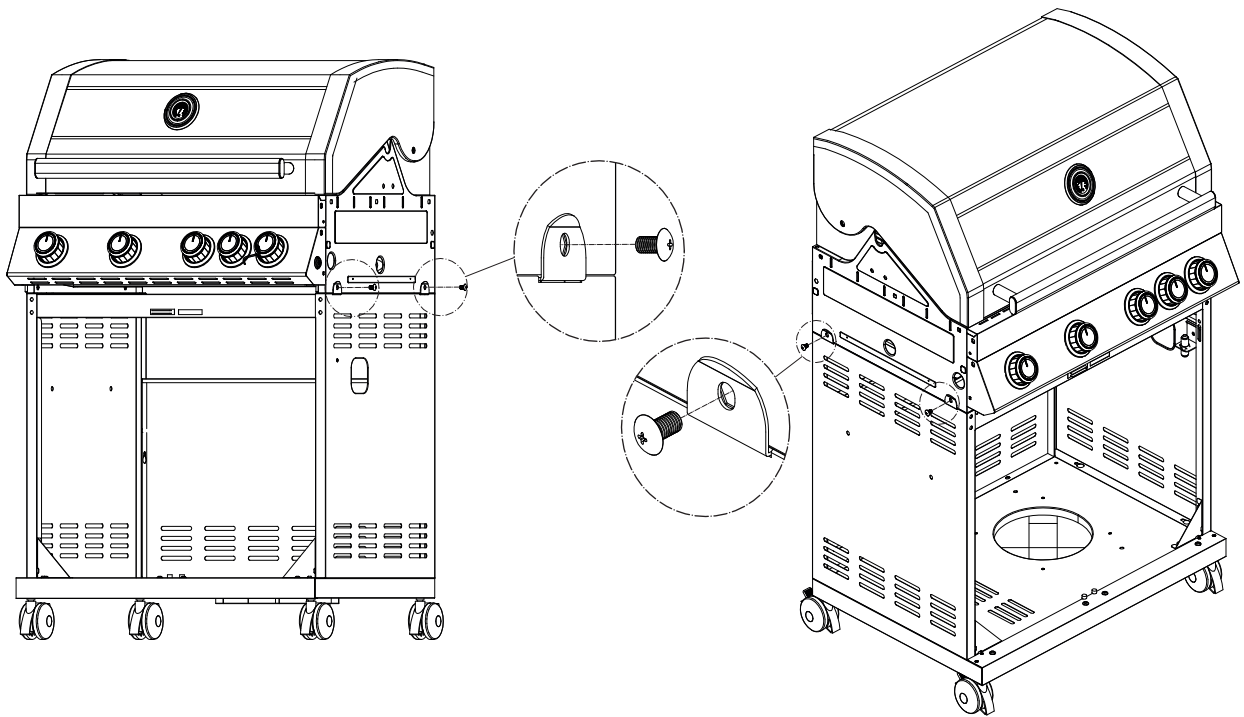


7

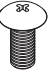



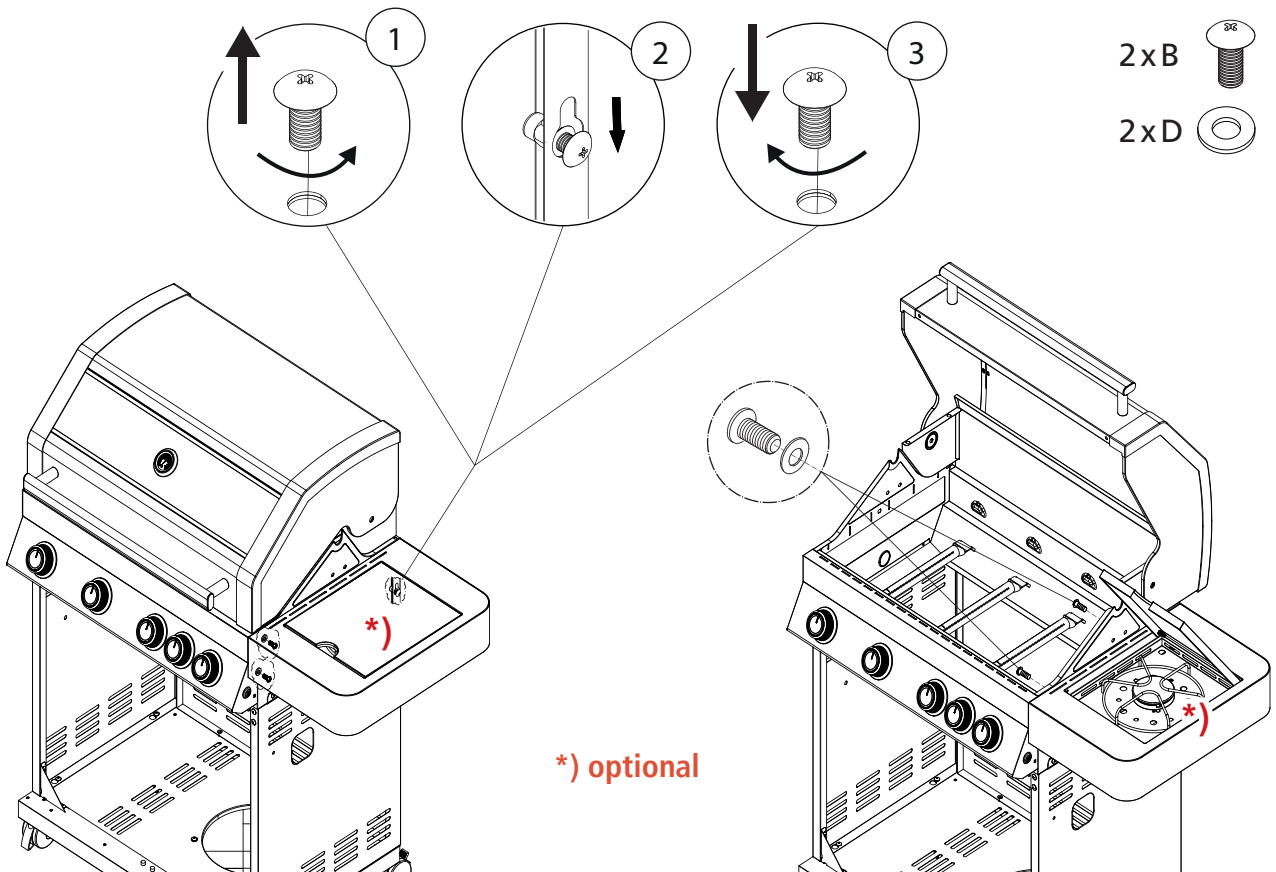
8

4xB 



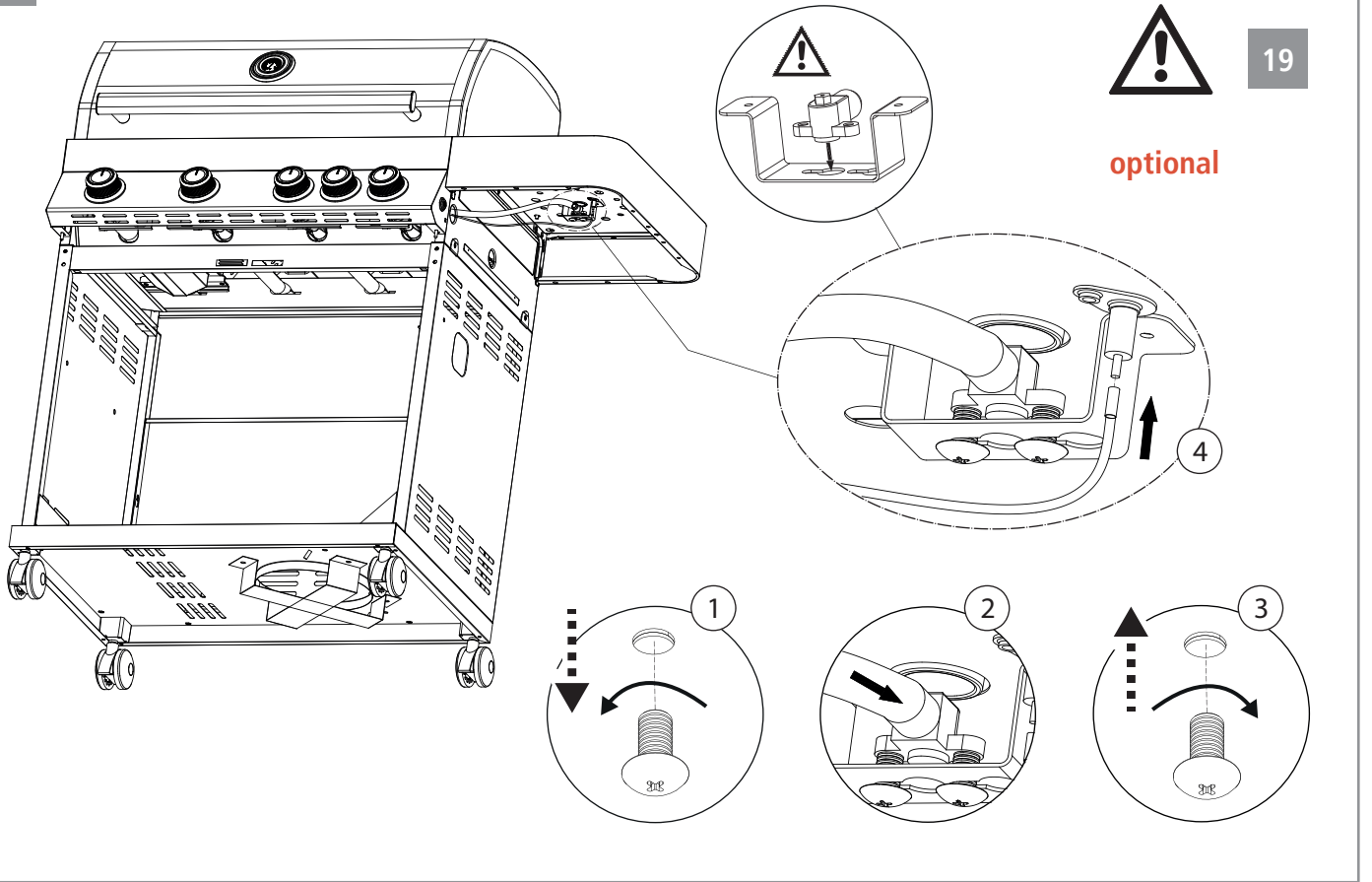
9

2xB 
2xD 

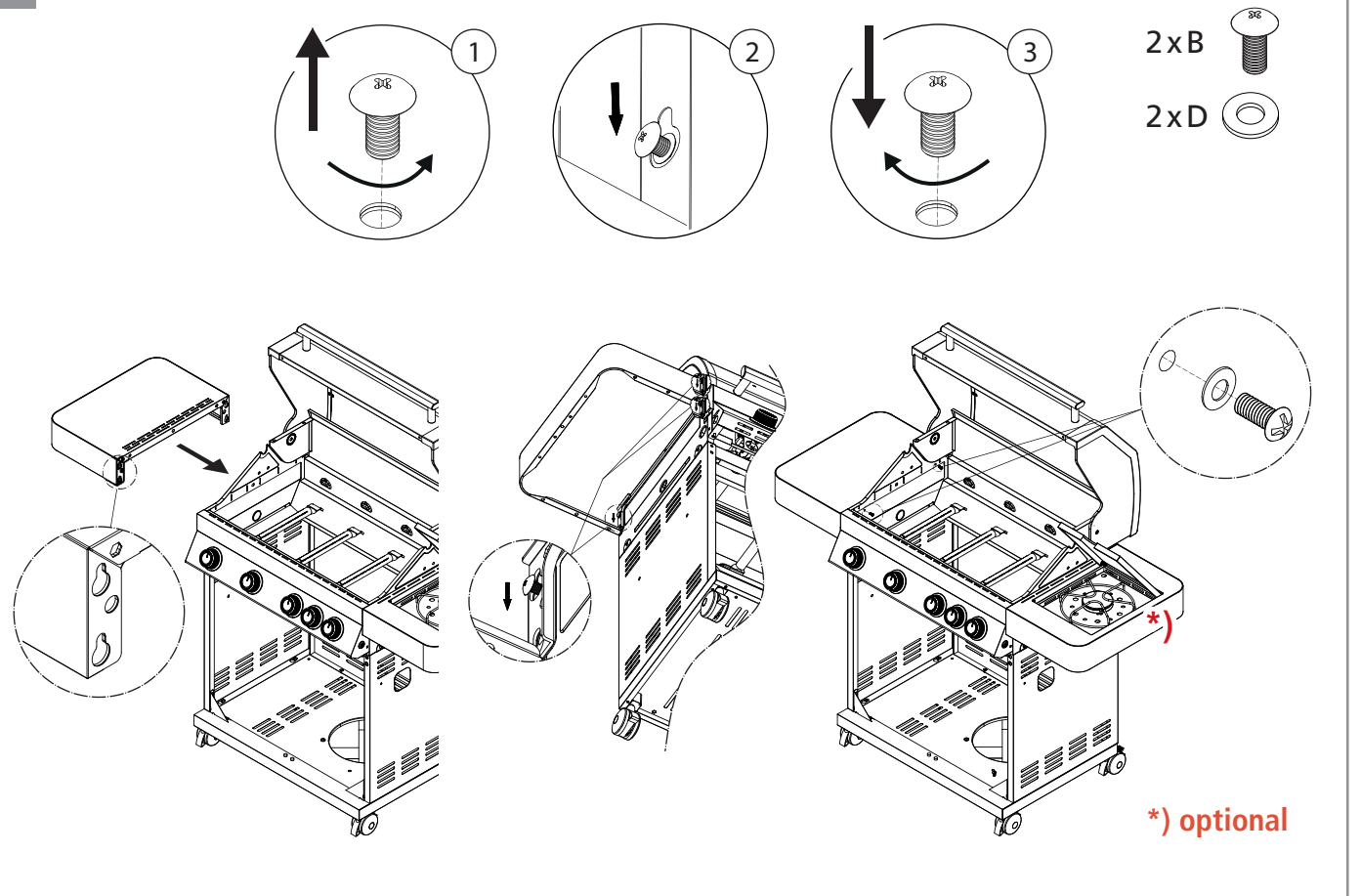


***) optional**

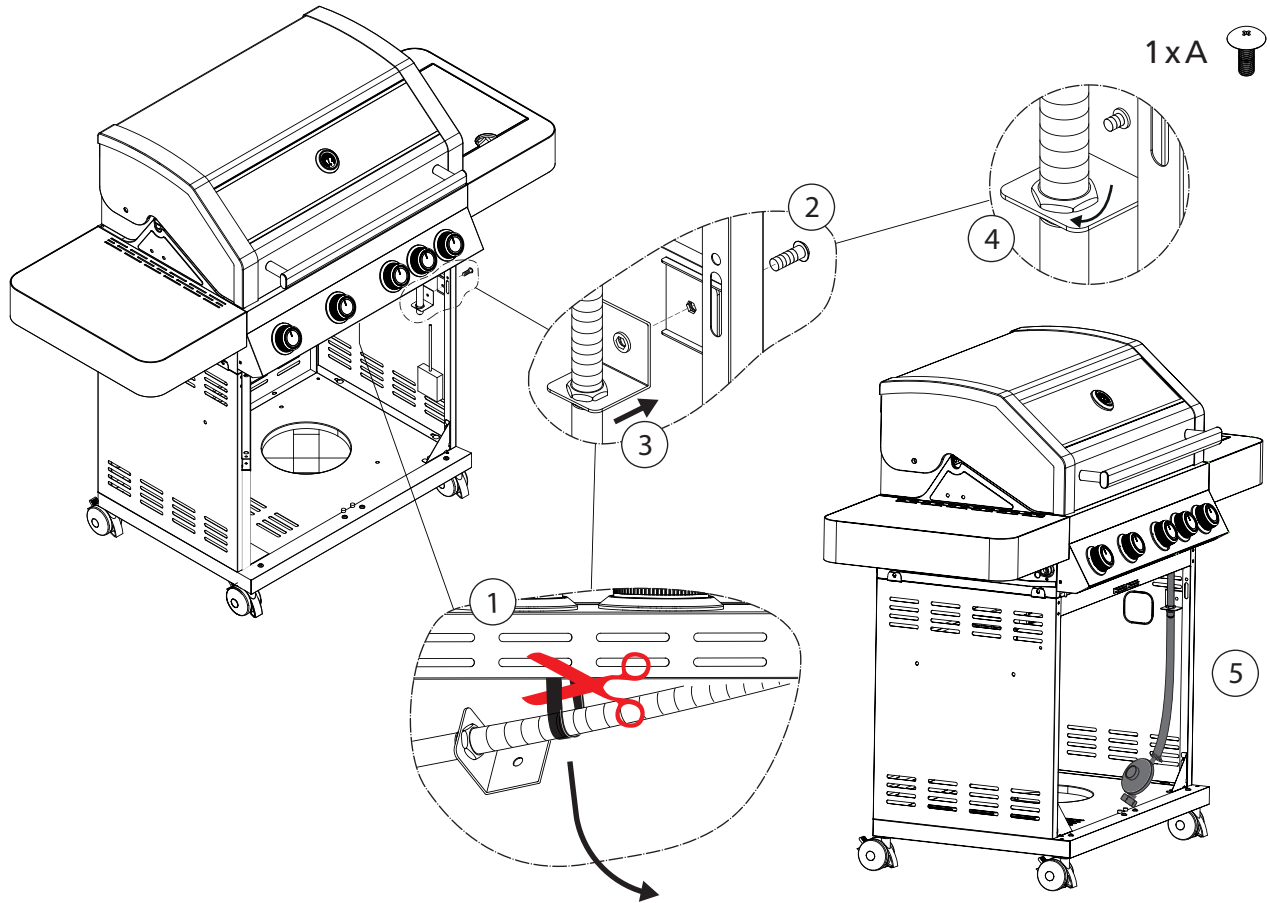
10



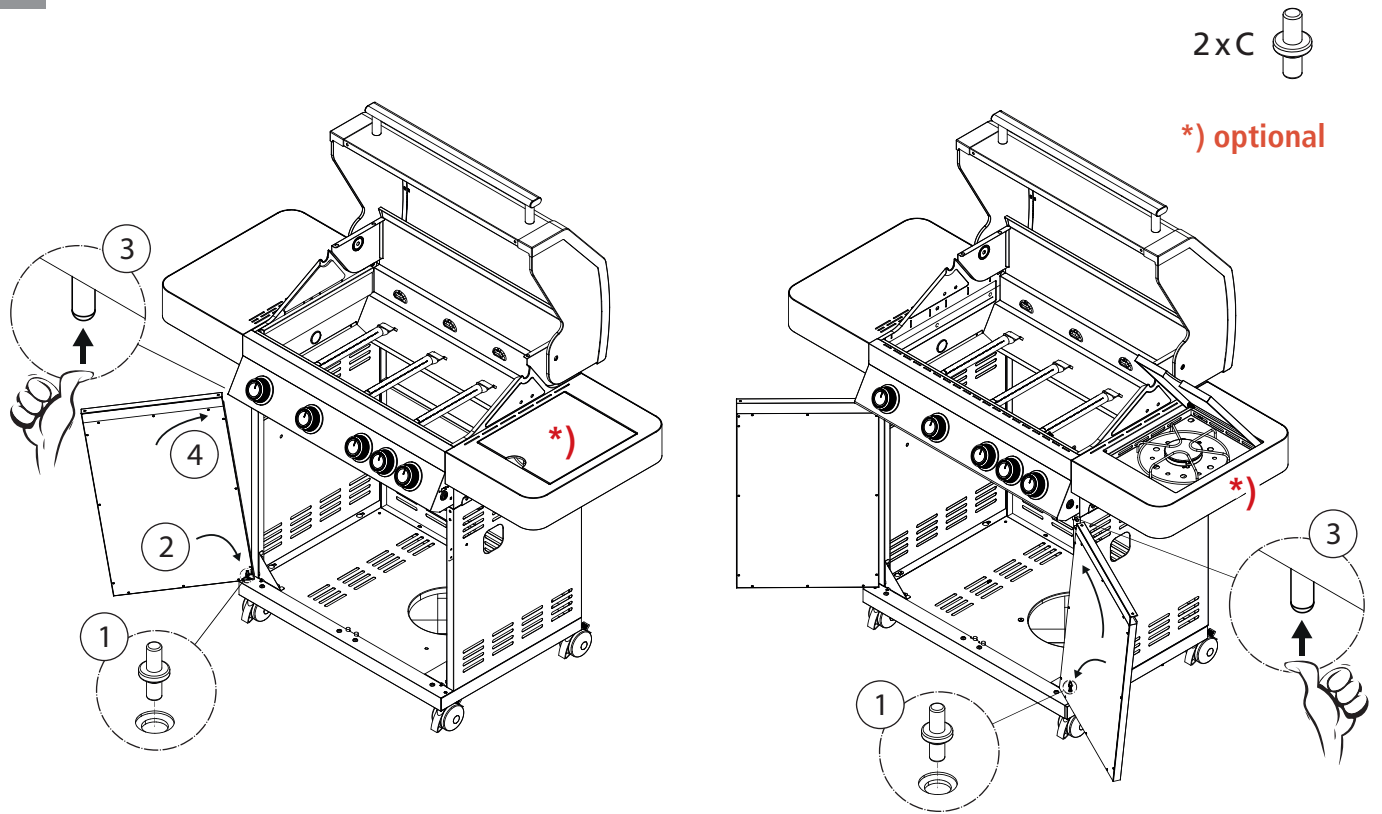
11



12

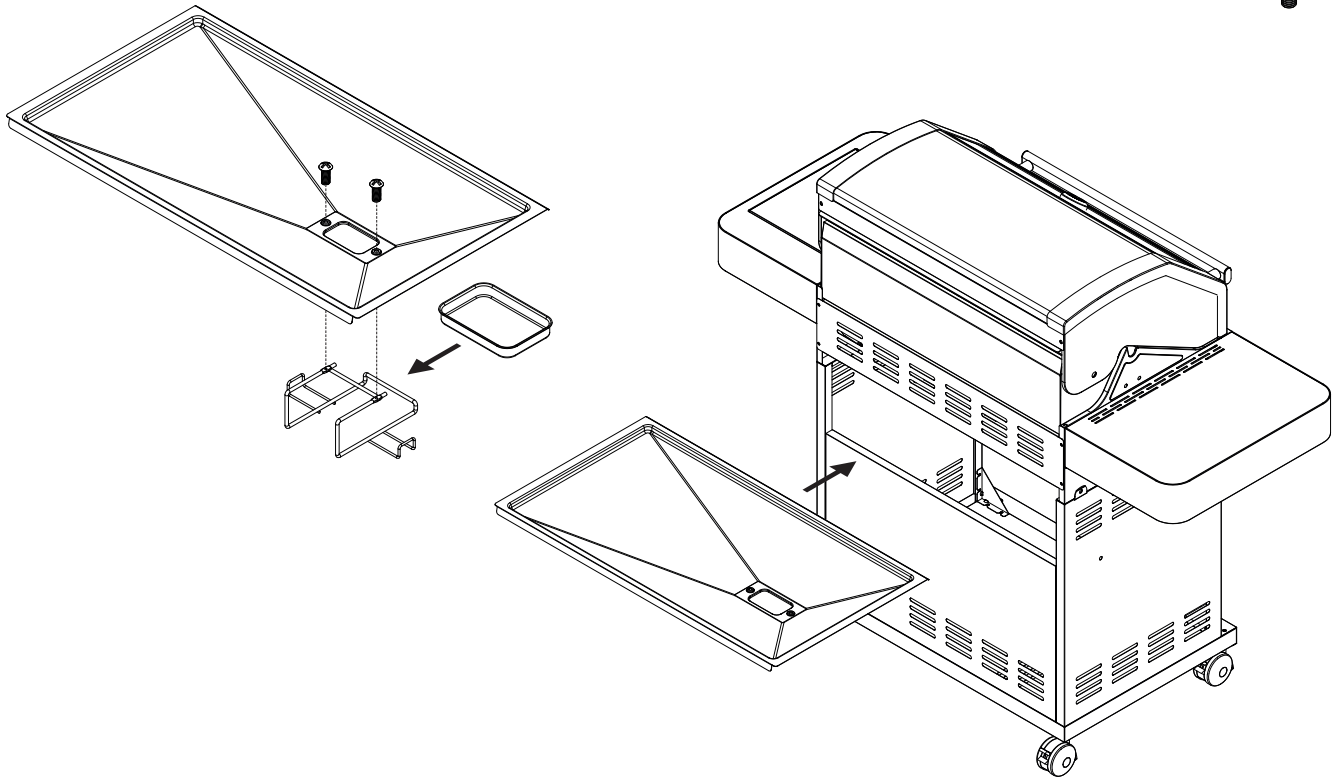


13

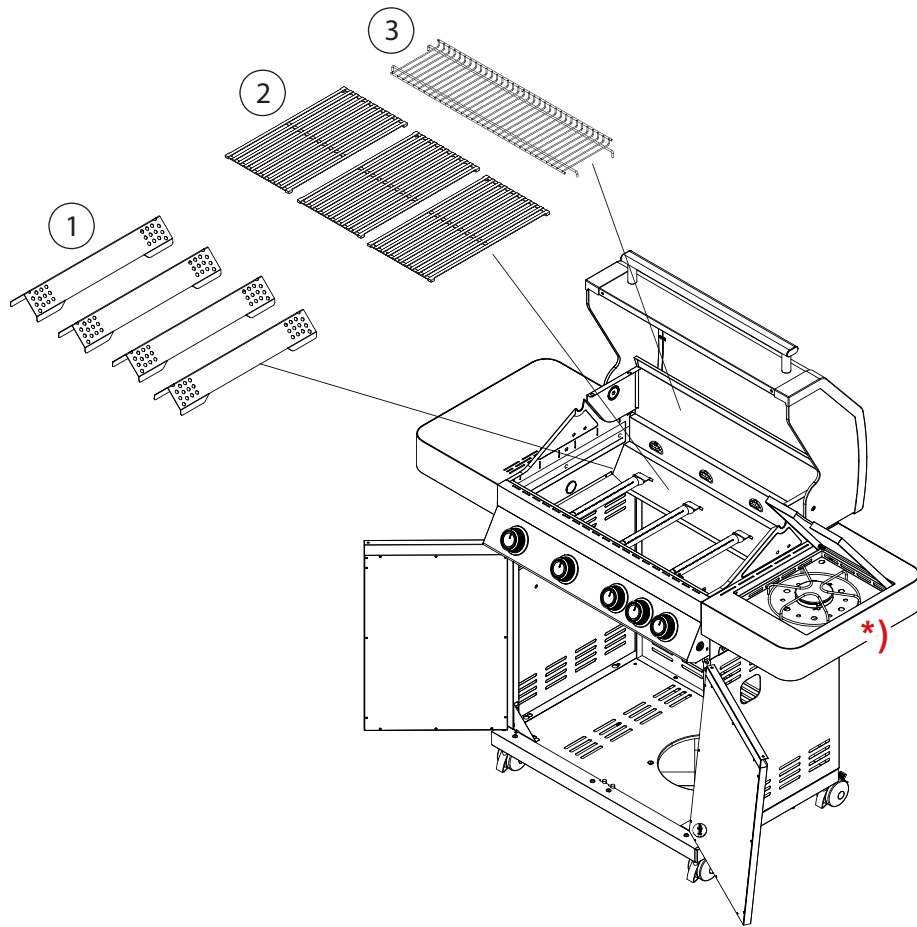


14

2xA 

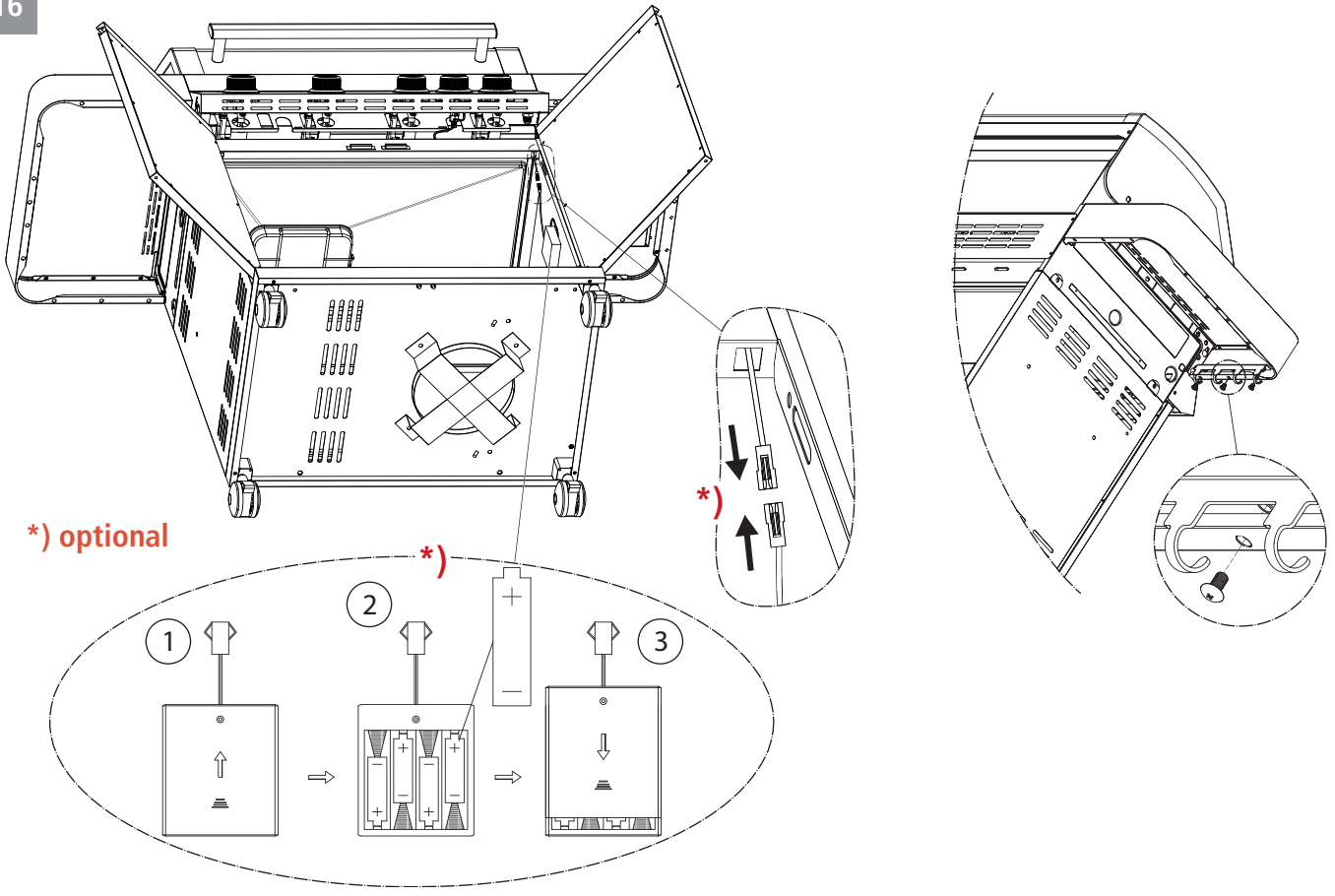


15

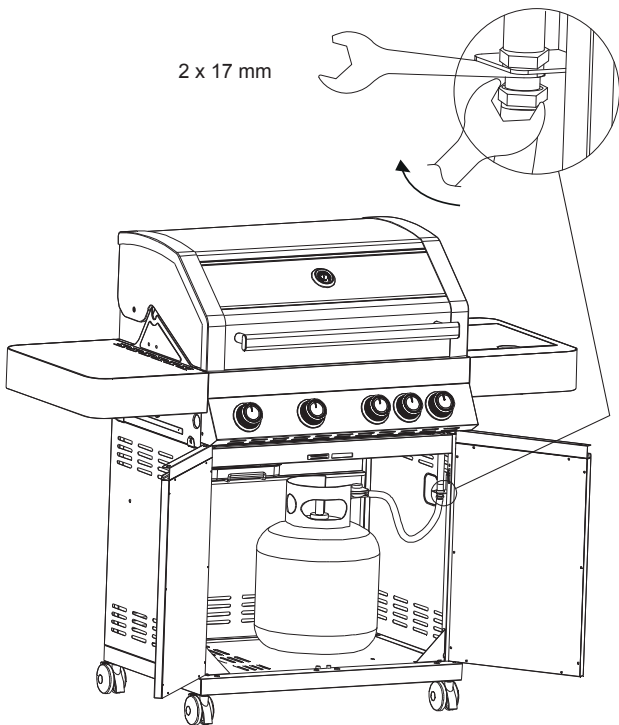


*) optional

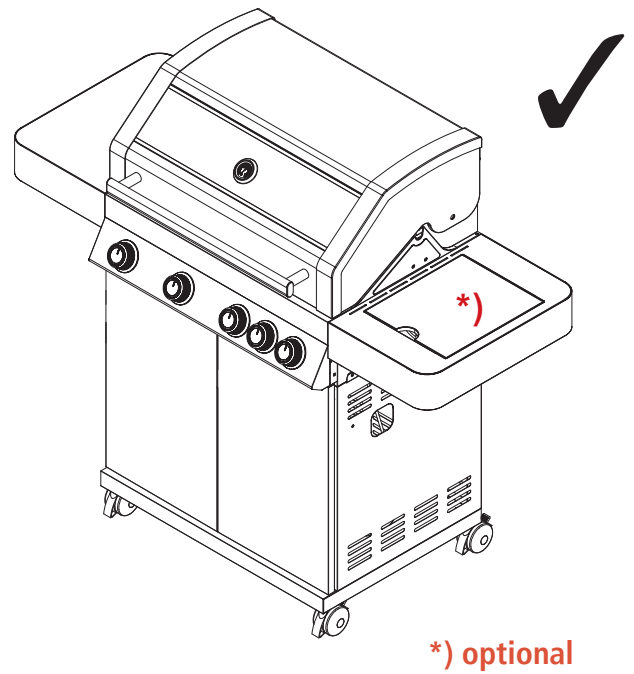
16



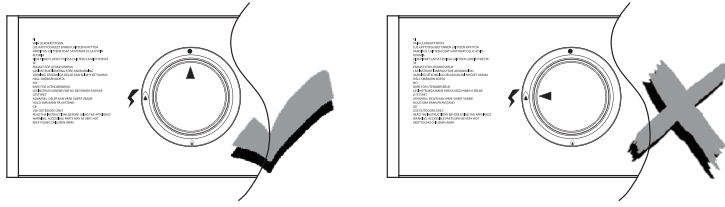
17



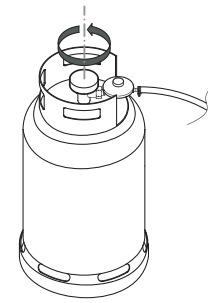
18



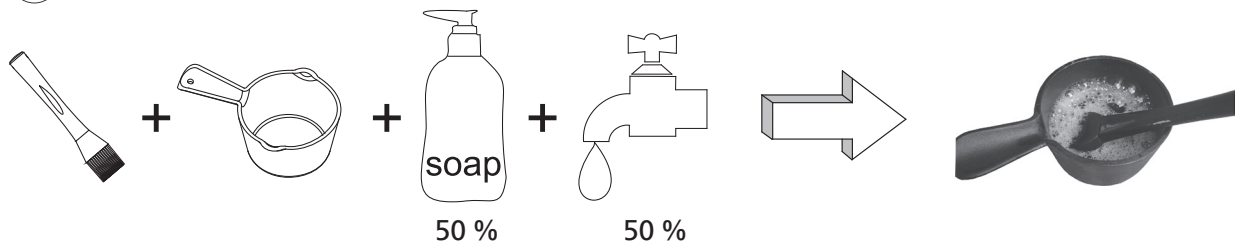
1



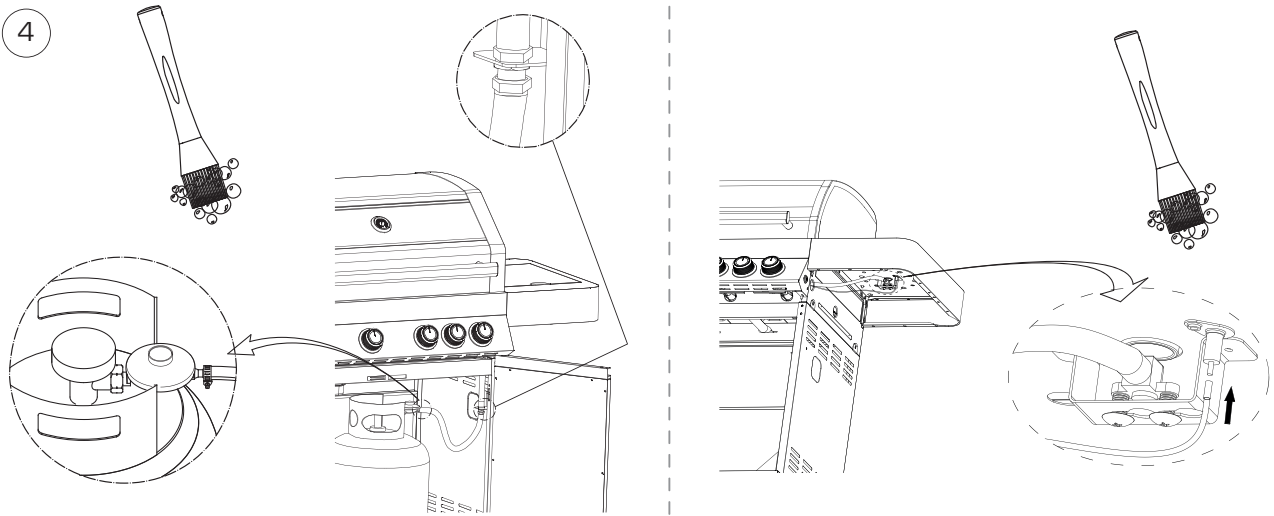
2



3



4



5

